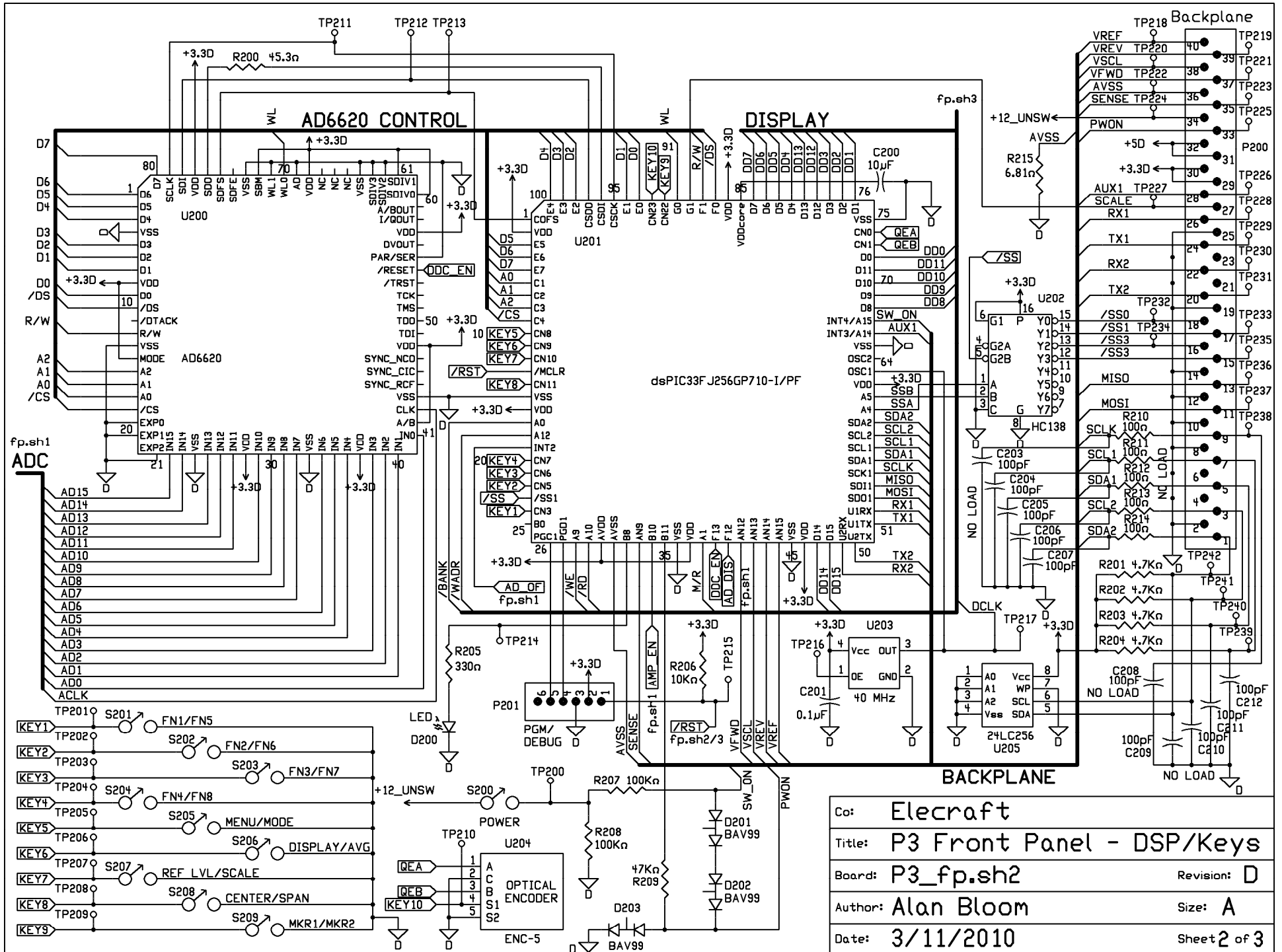
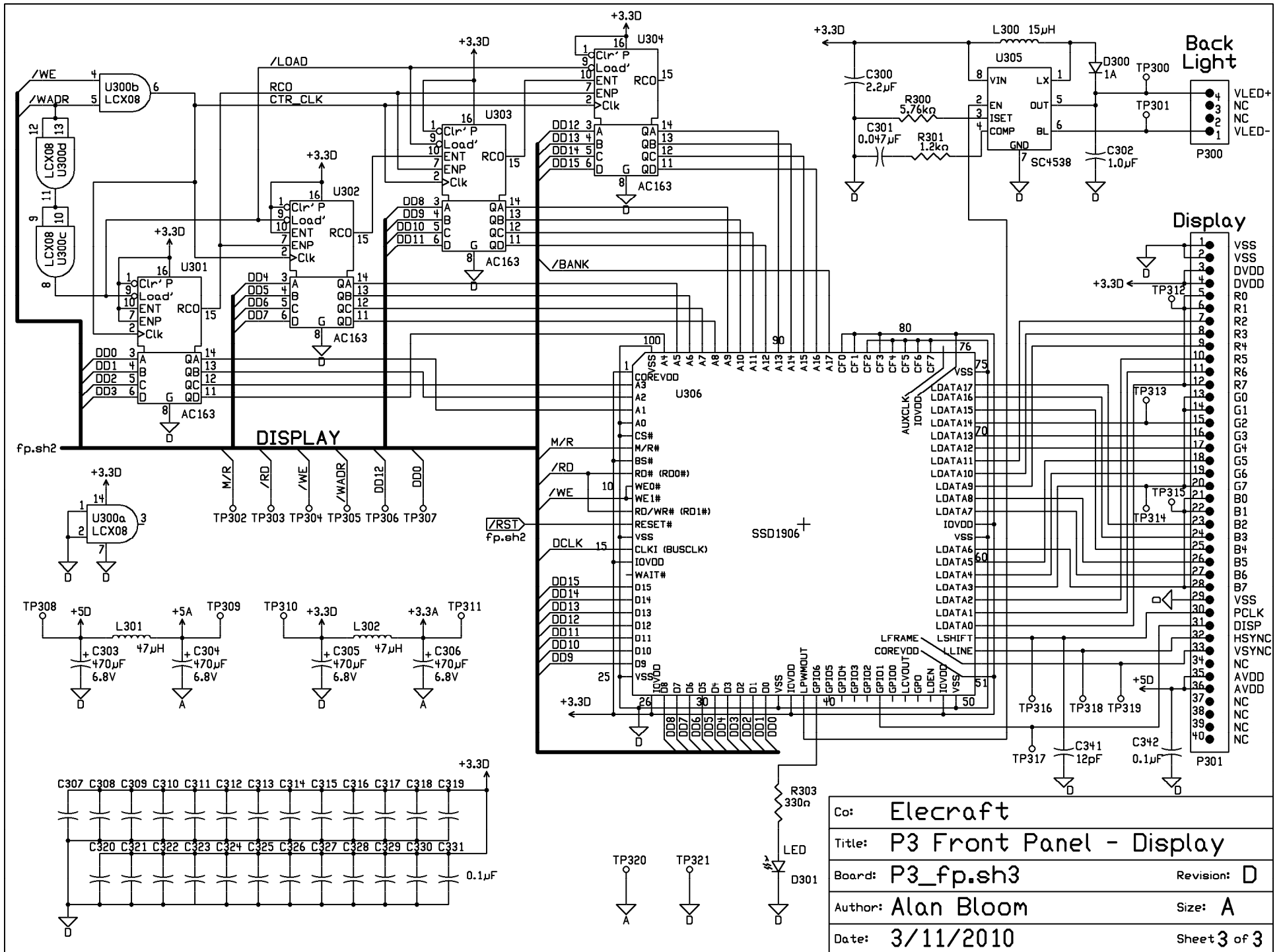


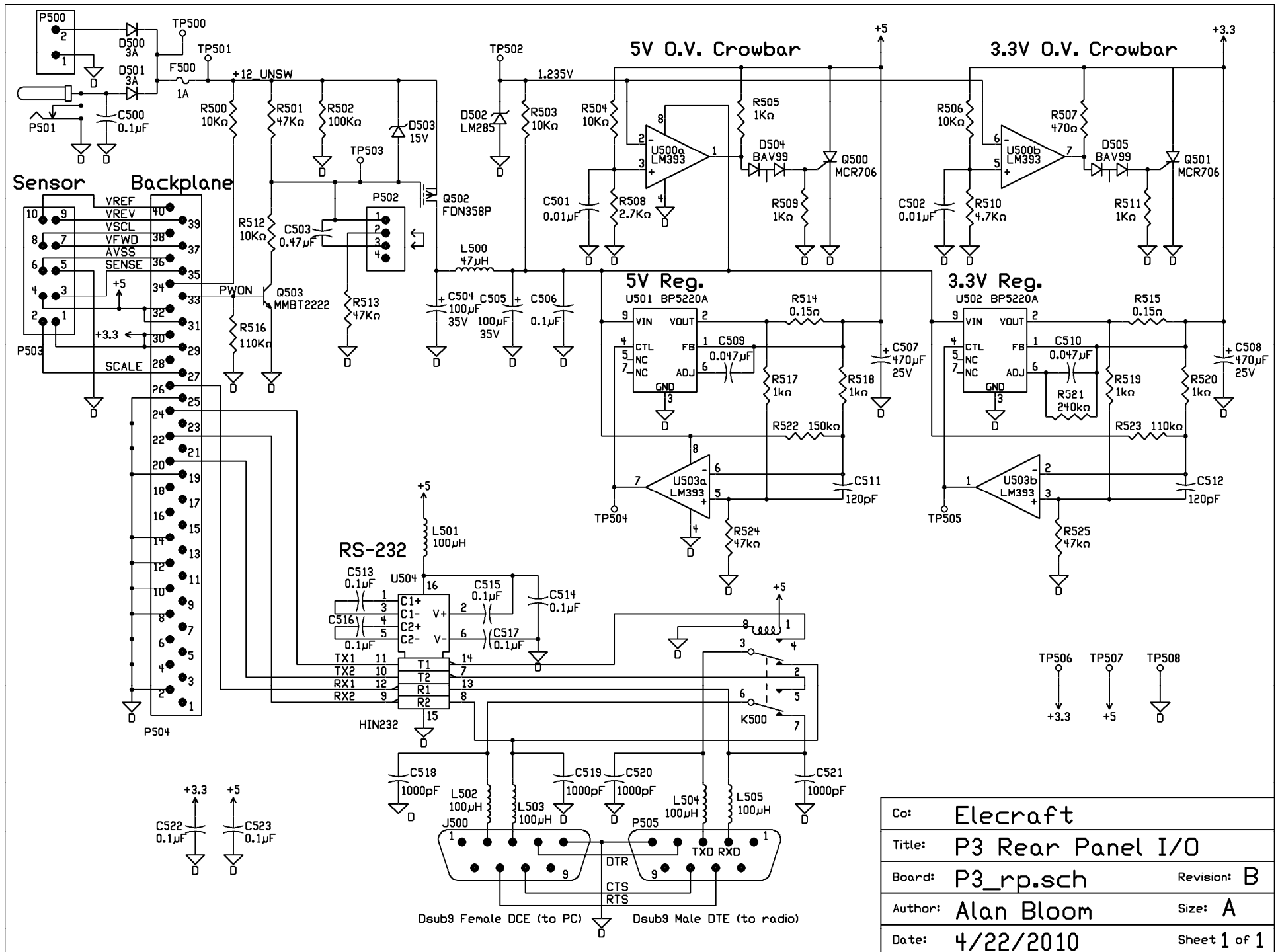
Co:	Elecrafit		
Title:	P3 Front Panel - ADC		
Board:	P3_fp.sh1	Revision:	D
Author:	Alan Bloom	Size:	A
Date:	3/11/2010	Sheet	1 of 3



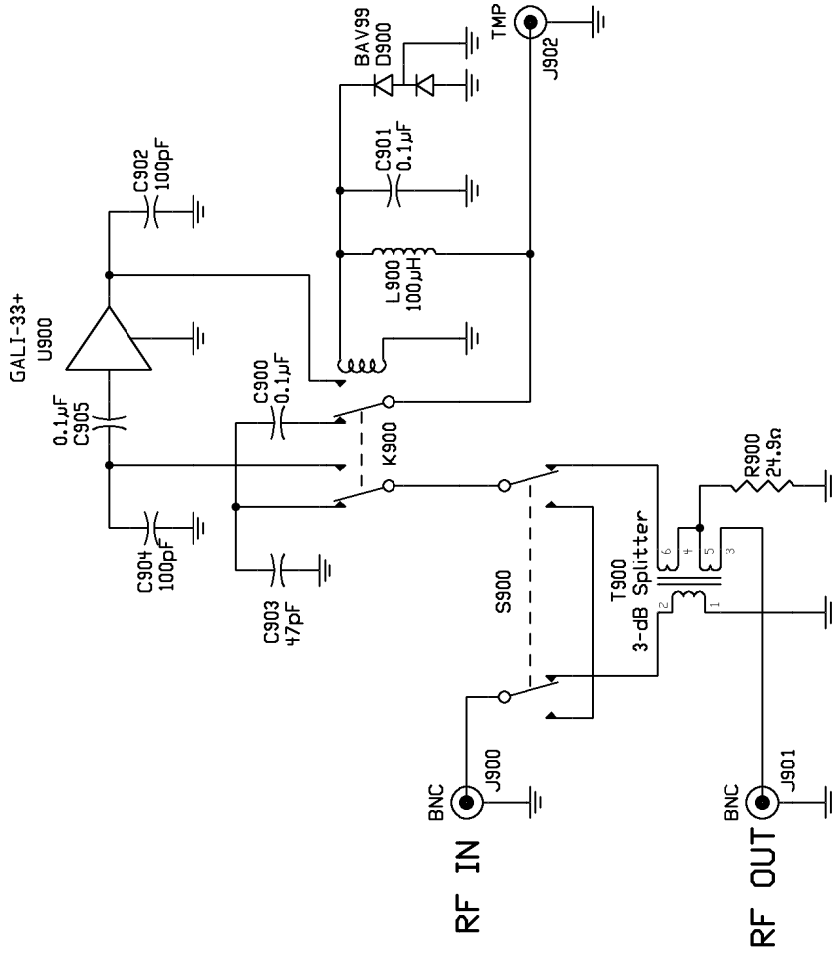
Co:	Elecraft	Revision:	D
Title:	P3 Front Panel - DSP/Keys	Size:	A
Board:	P3_fp.sh2	Sheet	2 of 3
Author:	Alan Bloom		
Date:	3/11/2010		



Co:	Elecraft	Revision:	D
Title:	P3 Front Panel - Display	Size:	A
Board:	P3_fp.sh3	Date:	3/11/2010
Author:	Alan Bloom	Sheet	3 of 3



Co:	Elecrafit		
Title:	P3 Rear Panel I/O		
Board:	P3_rp.sch	Revision:	B
Author:	Alan Bloom	Size:	A
Date:	4/22/2010	Sheet	1 of 1



Co: **Electcraft**

Title: **P3 Rear Panel RF Board**

Board: **P3_jf_D.sch** Revision: **D**

Author: **Alan Bloom** Size: **B**

Date: **10/26/2010** Sheet 1 of 1