



KX2 Schematic Files
E740324, Rev A
Release Date: July 28, 2017

This document contains the schematics for the Elecraft KX2 Transceiver and its internal options. The schematics are preceded by a Block Diagram for context.

The schematics are presented first as a basic KX2, with the two option modules following.

BLOCK DIAGRAM

Control Panel Board [E850728]

RF Board [E850729]

Band Pass Filter Board [E850730]

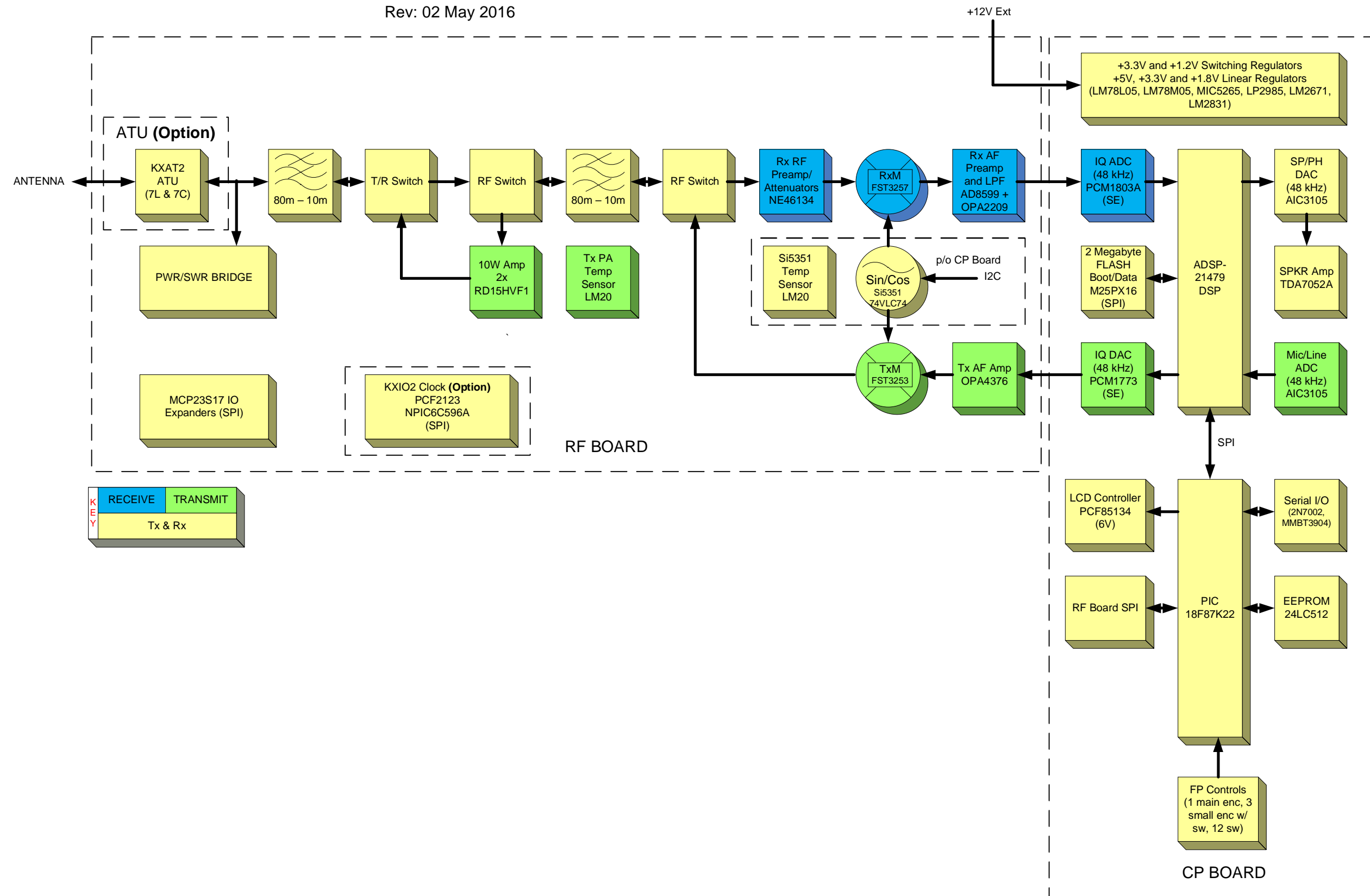
KXIO2 RTC and General Purpose I/O Board [E850732]

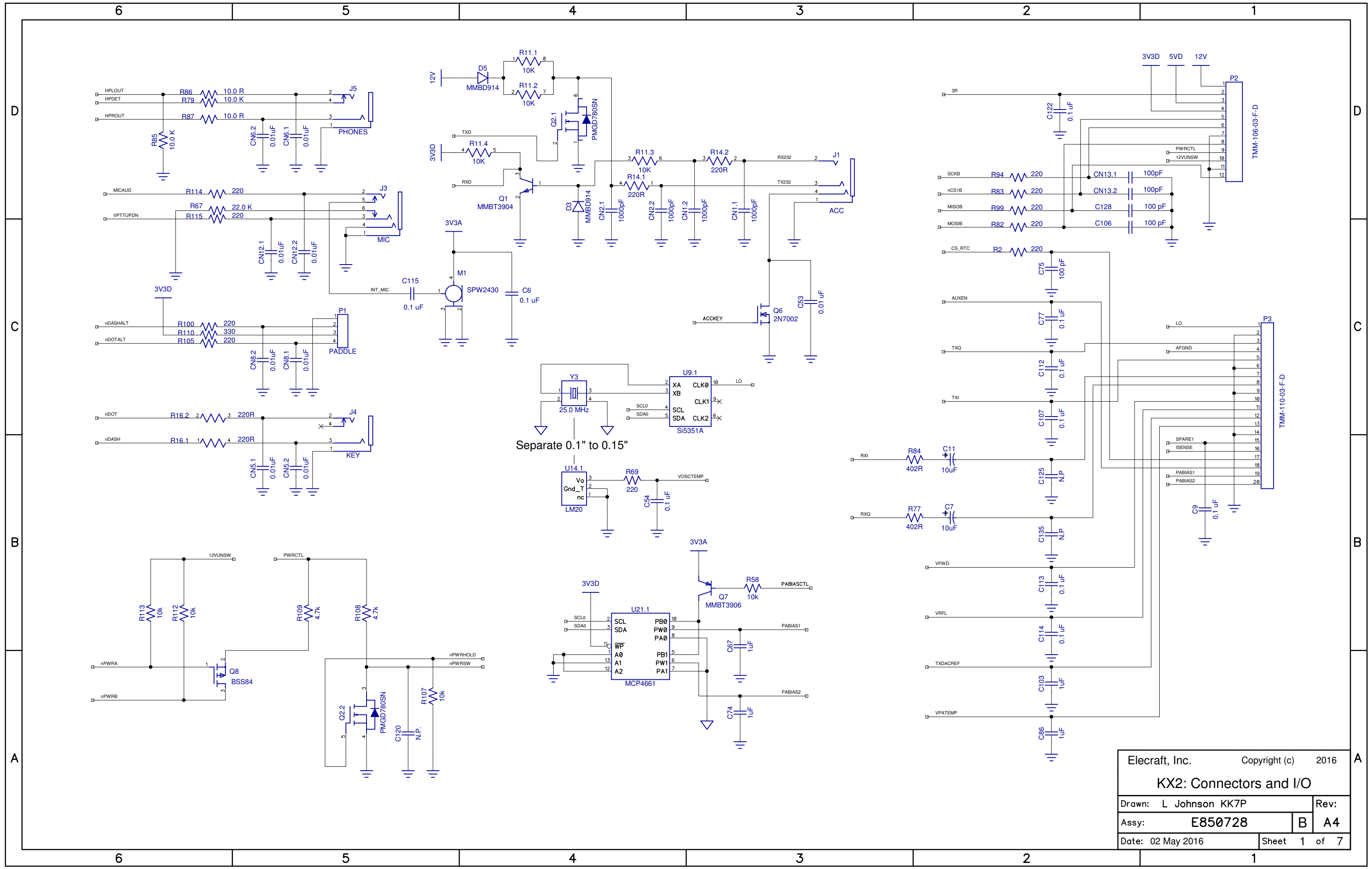
KXAT2 Automatic Antenna Tuner Board [E850733]

KX2 Block Diagram

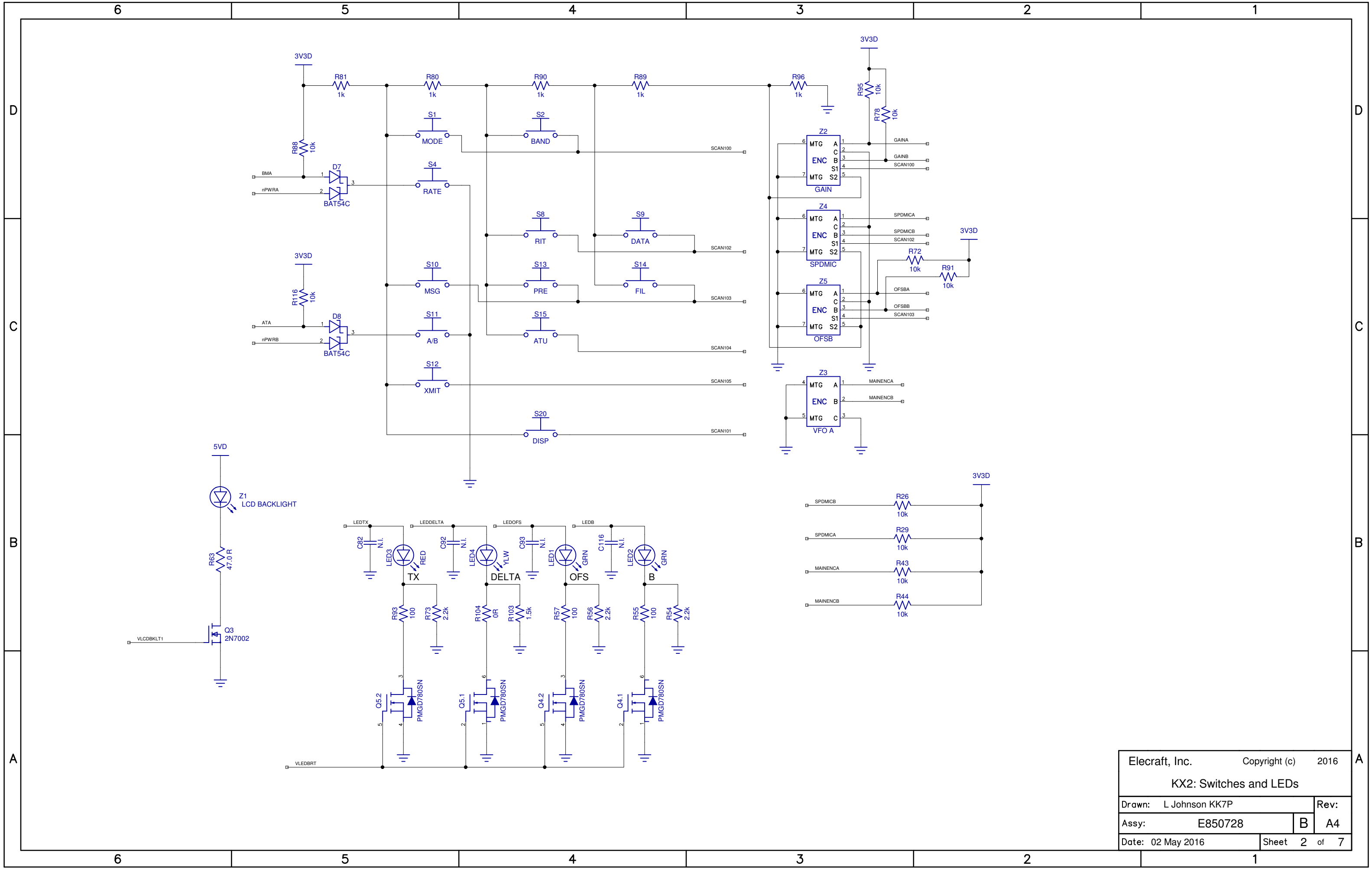
W. Burdick, L. Johnson, R. Heineck, R. Friess

Rev: 02 May 2016

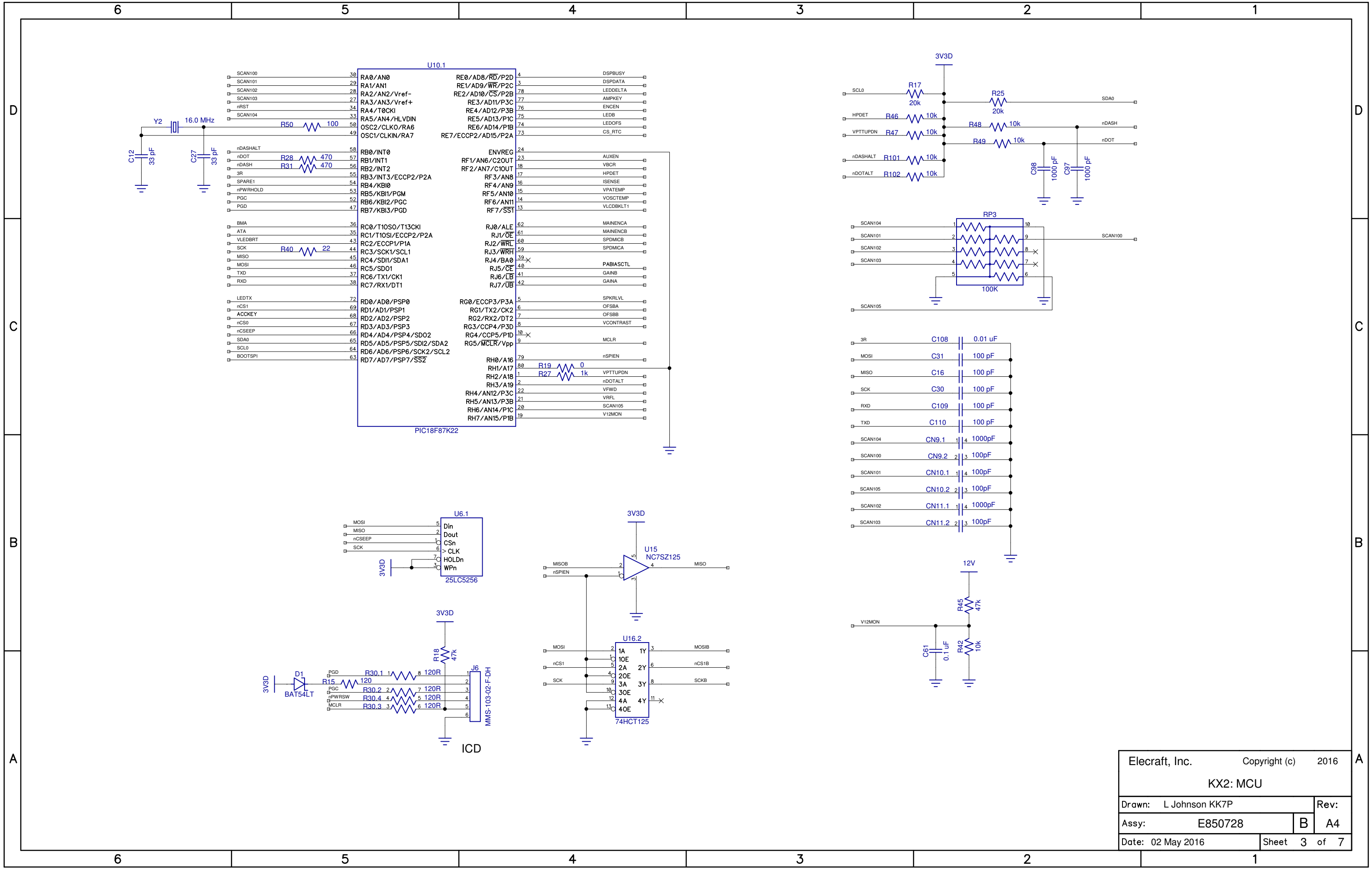




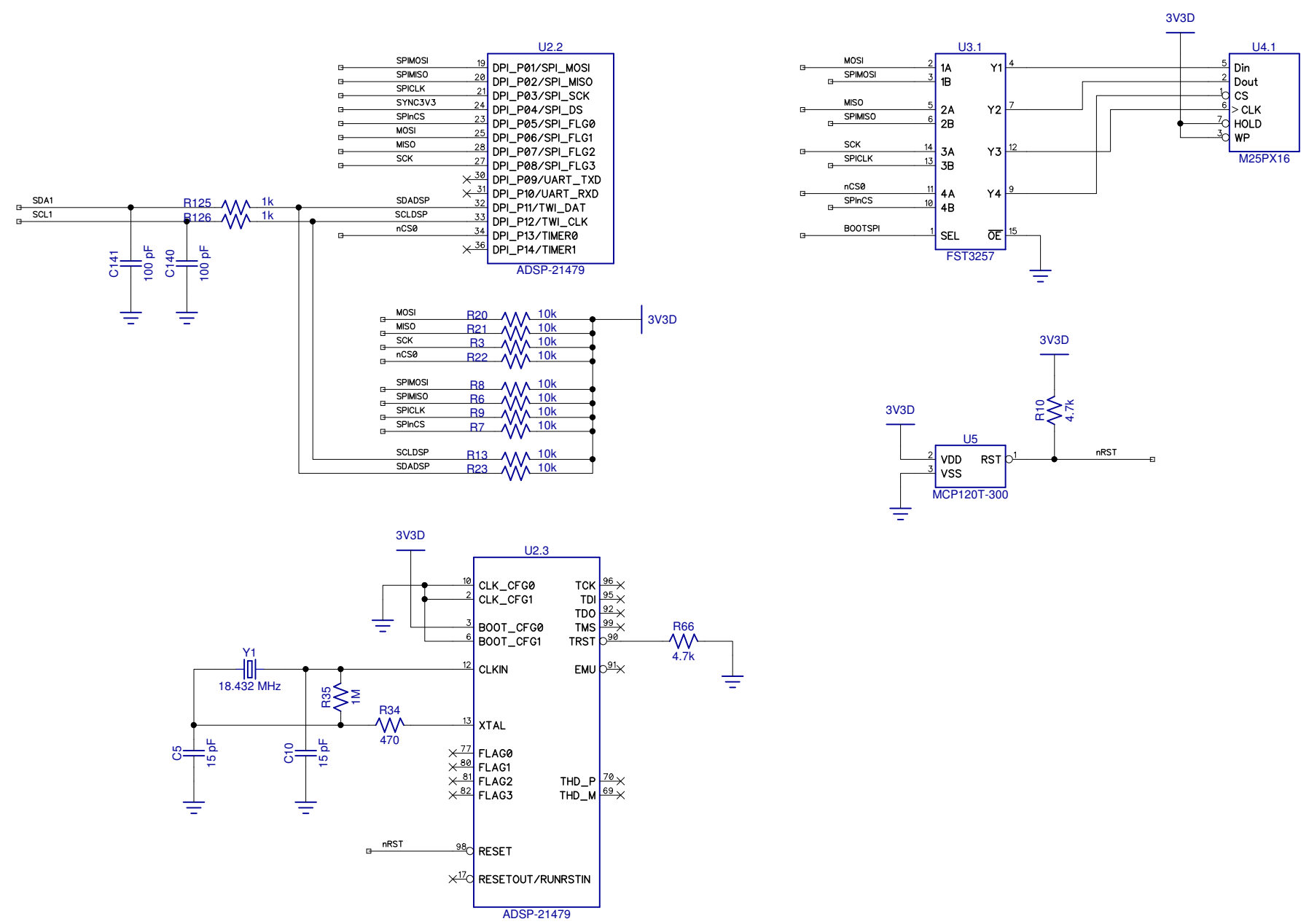
Elecraft, Inc. Copyright (c) 2016
KX2: Connectors and I/O
 Drawn: L Johnson KK7P Rev:
 Assy: **E850728** B A4
 Date: 02 May 2016 Sheet 1 of 7



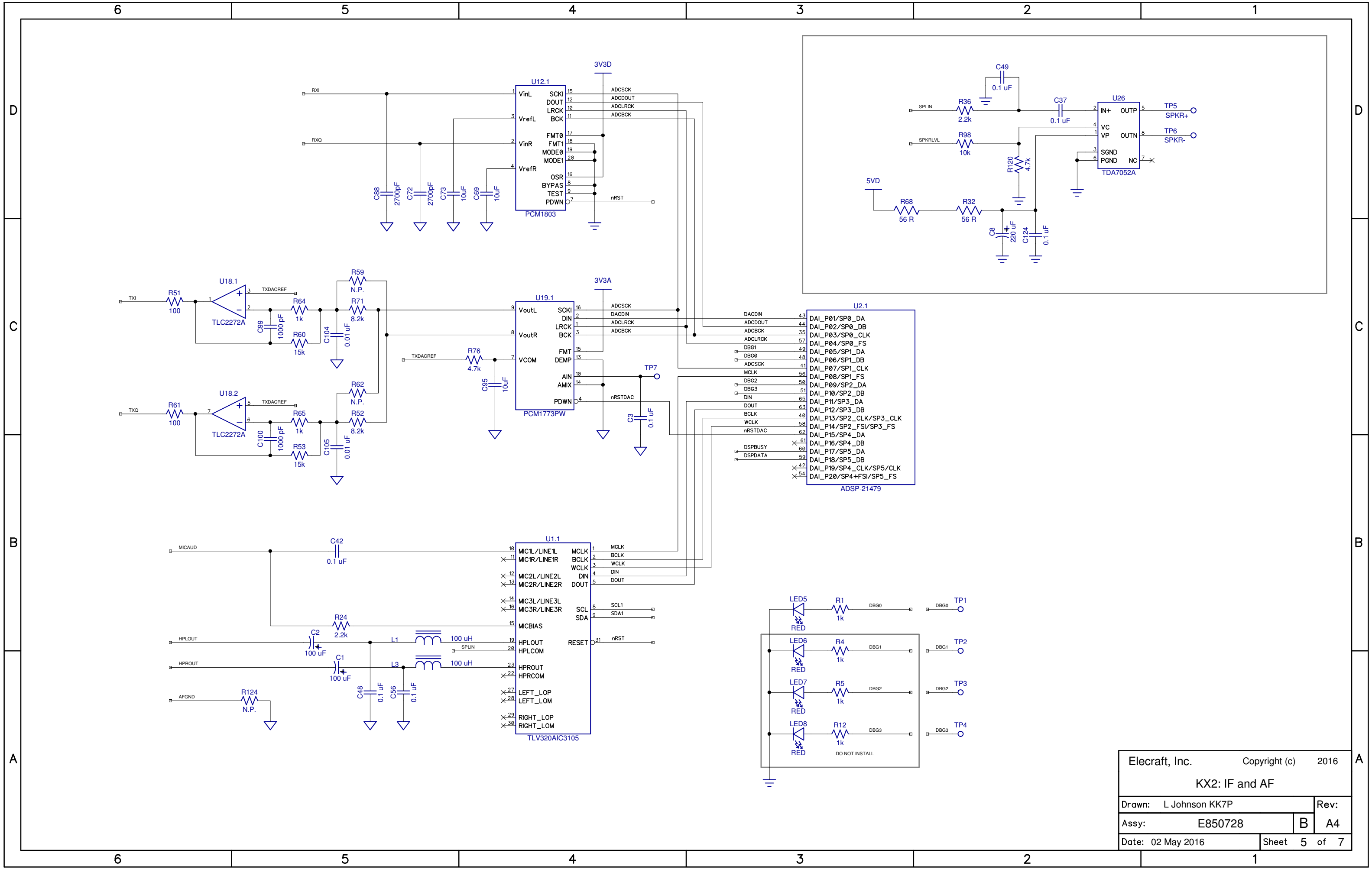
Elecra ^{ft} , Inc.		Copyright (c) 2016	
KX2: Switches and LEDs			
Drawn:	L Johnson KK7P	Rev:	
Assy:	E850728	B	A4
Date:	02 May 2016	Sheet	2 of 7

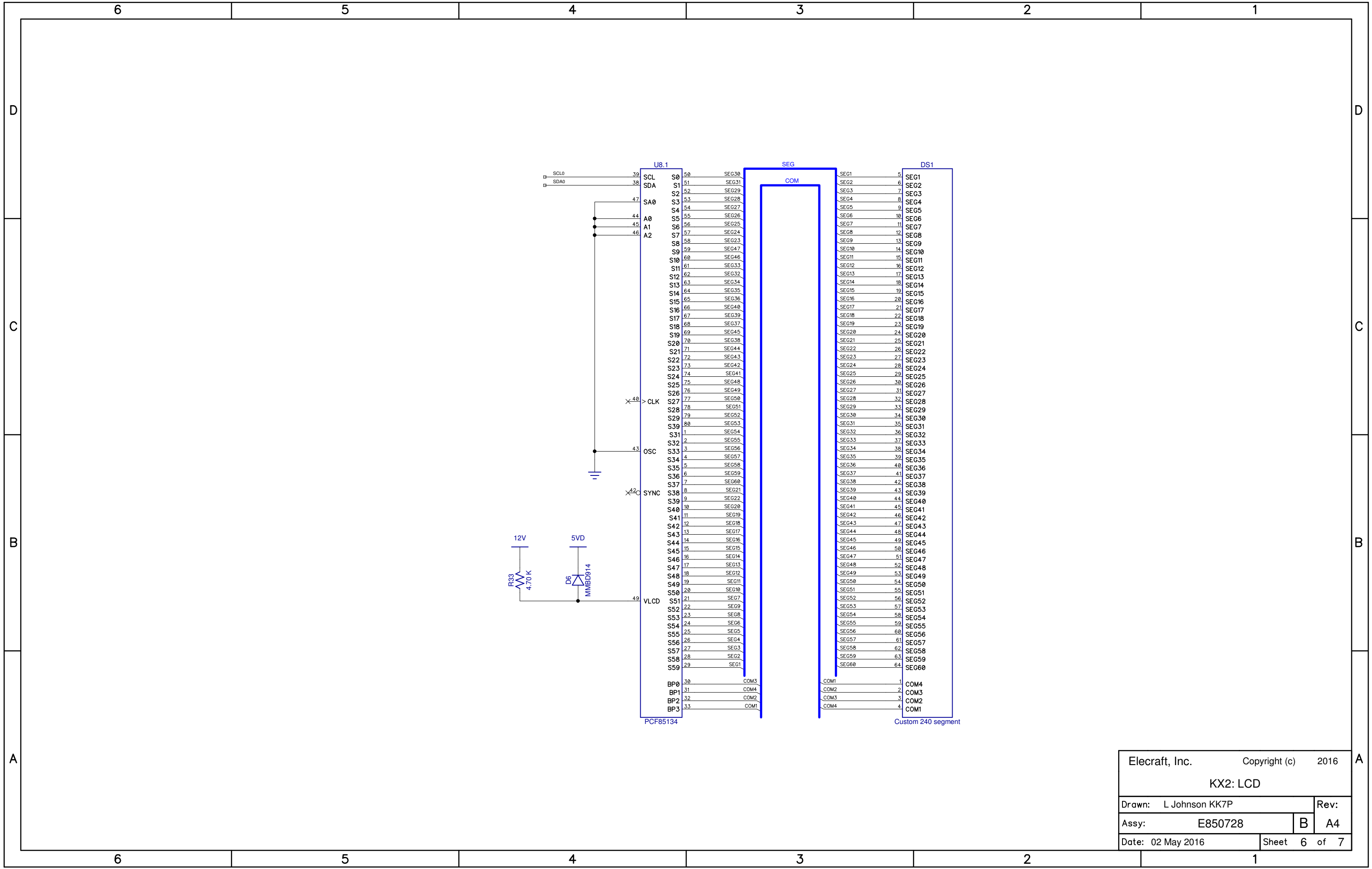


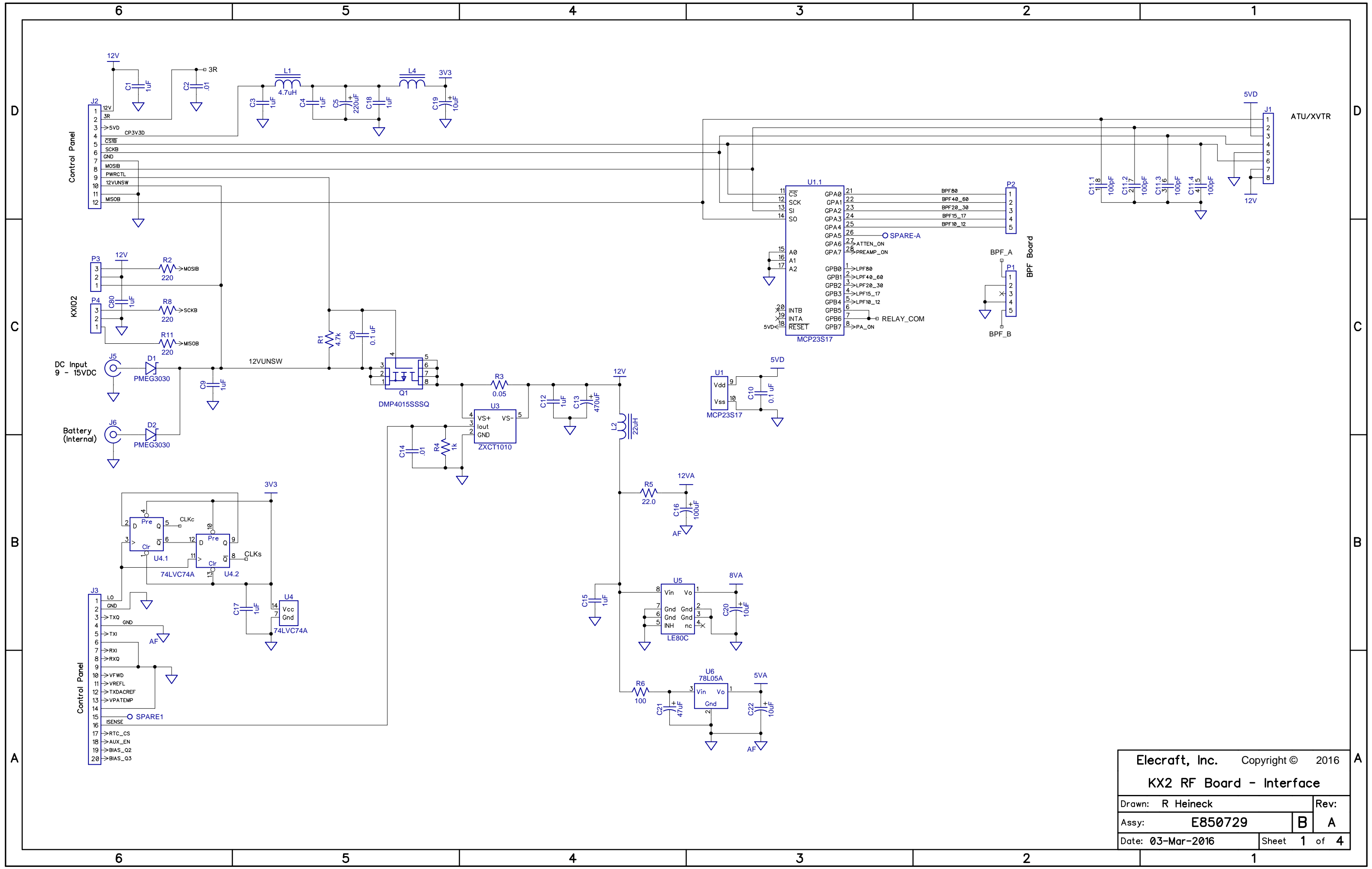
Elecrafft, Inc. Copyright (c) 2016	
KX2: MCU	
Drawn: L Johnson KK7P	Rev:
Assy: E850728	B A4
Date: 02 May 2016	Sheet 3 of 7



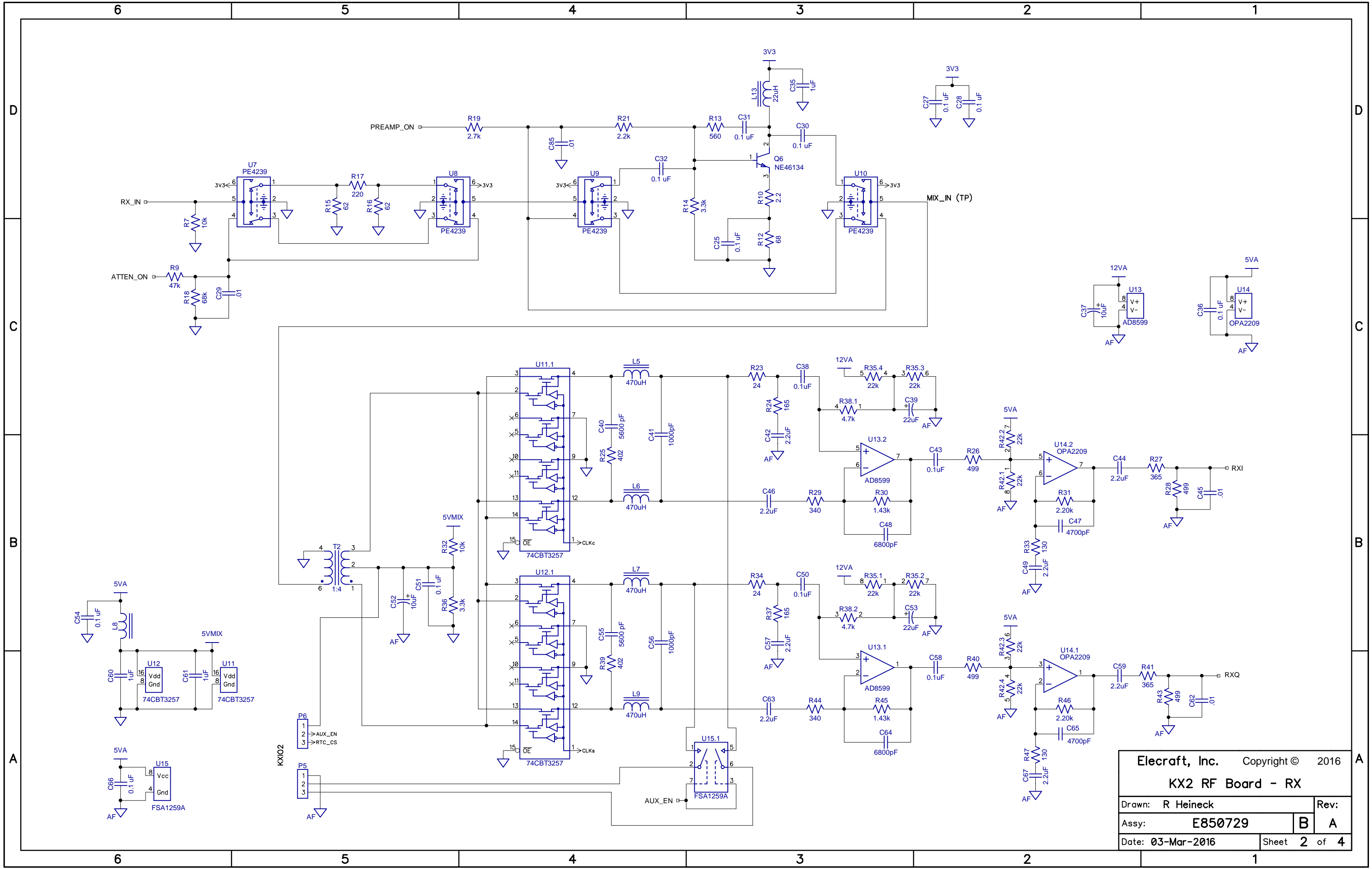
Elecrafit, Inc. Copyright (c) 2016		A	
KX2: DSP			
Drawn: L Johnson KK7P		Rev:	
Assy: E850728		B	A4
Date: 02 May 2016		Sheet 4 of 7	



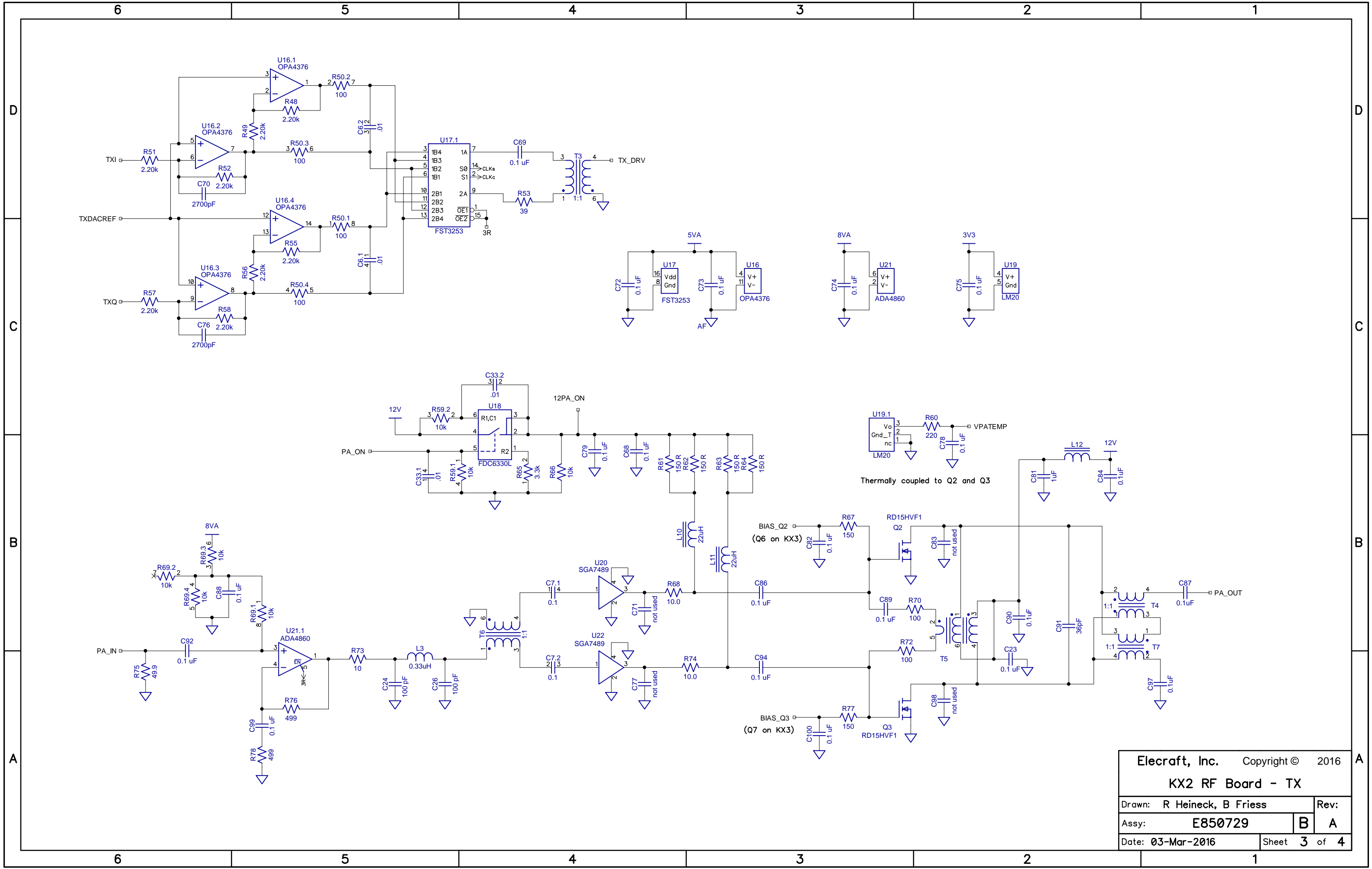




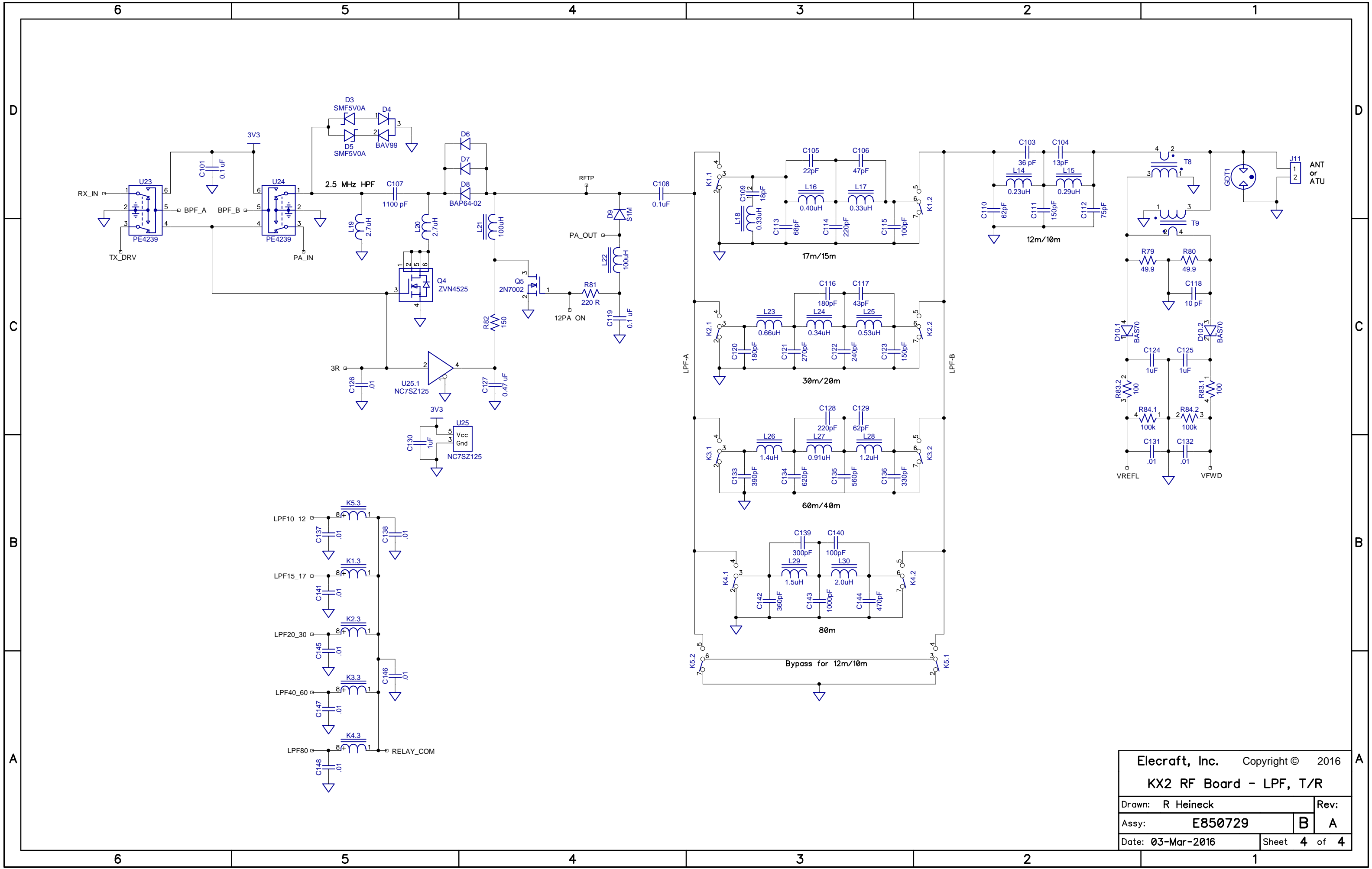
Elecraft, Inc. Copyright © 2016
KX2 RF Board - Interface
 Drawn: R Heineck Rev:
 Assy: **E850729** B A
 Date: 03-Mar-2016 Sheet 1 of 4



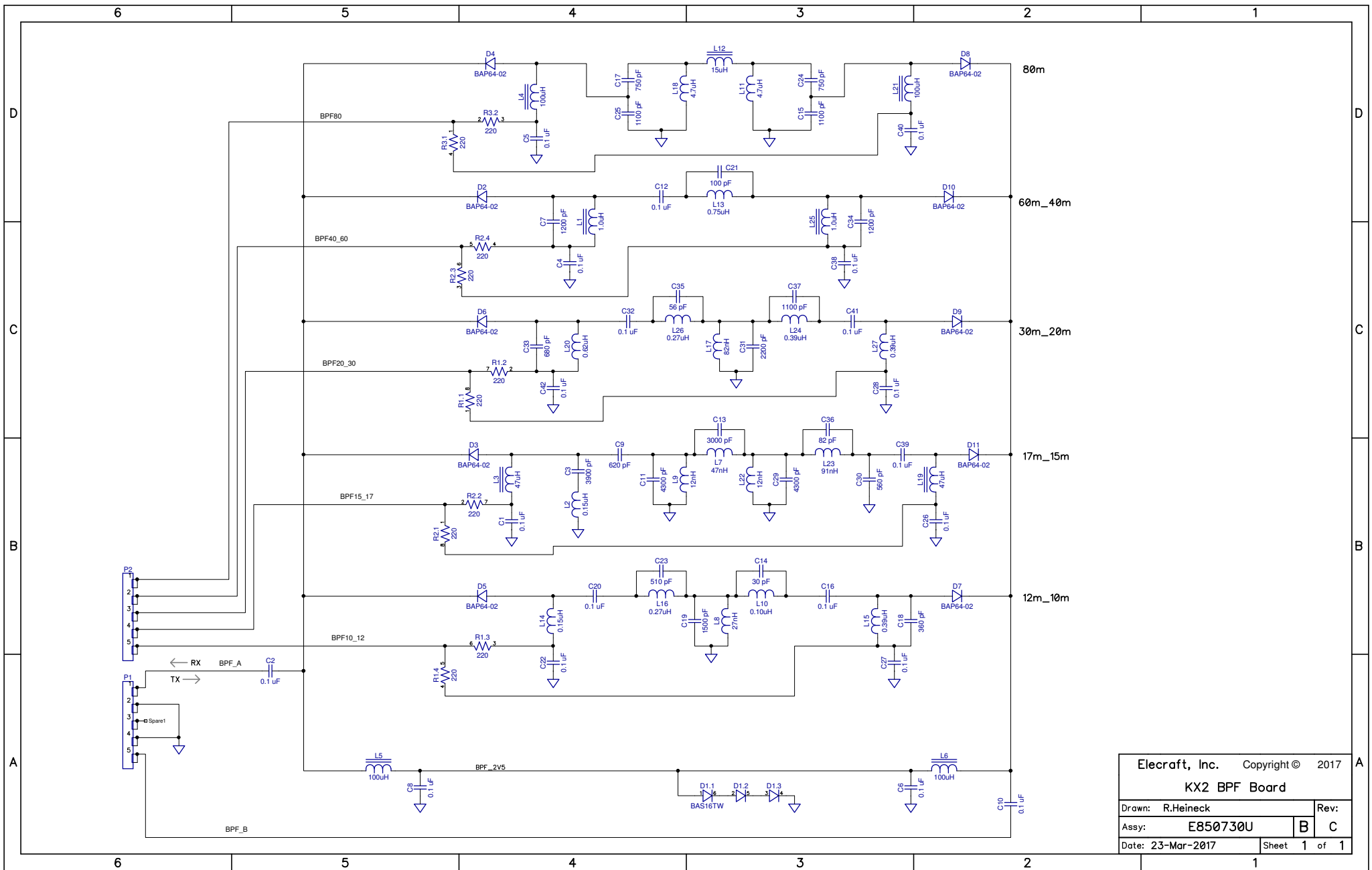
Elecraft, Inc. Copyright © 2016
KX2 RF Board - RX
 Drawn: R Heineck Rev:
 Assy: **E850729** B A
 Date: 03-Mar-2016 Sheet 2 of 4



Elecraft, Inc. Copyright © 2016		A	
KX2 RF Board - TX			
Drawn: R Heineck, B Friess		Rev:	
Assy: E850729		B A	
Date: 03-Mar-2016		Sheet 3 of 4	

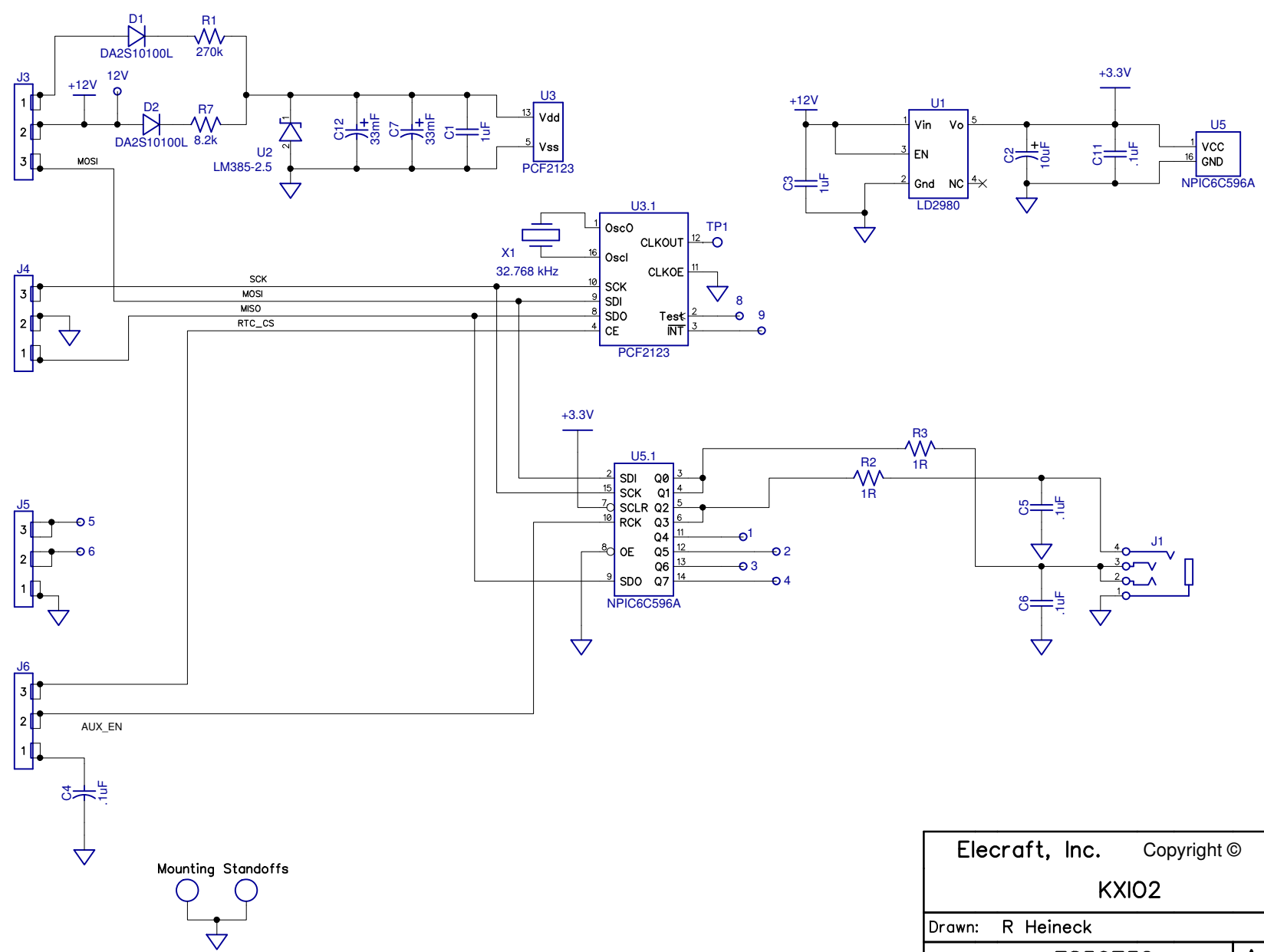


Elecraft, Inc. Copyright © 2016		A	
KX2 RF Board - LPF, T/R			
Drawn: R Heineck	Rev:		
Assy: E850729	B	A	
Date: 03-Mar-2016	Sheet 4	of 4	

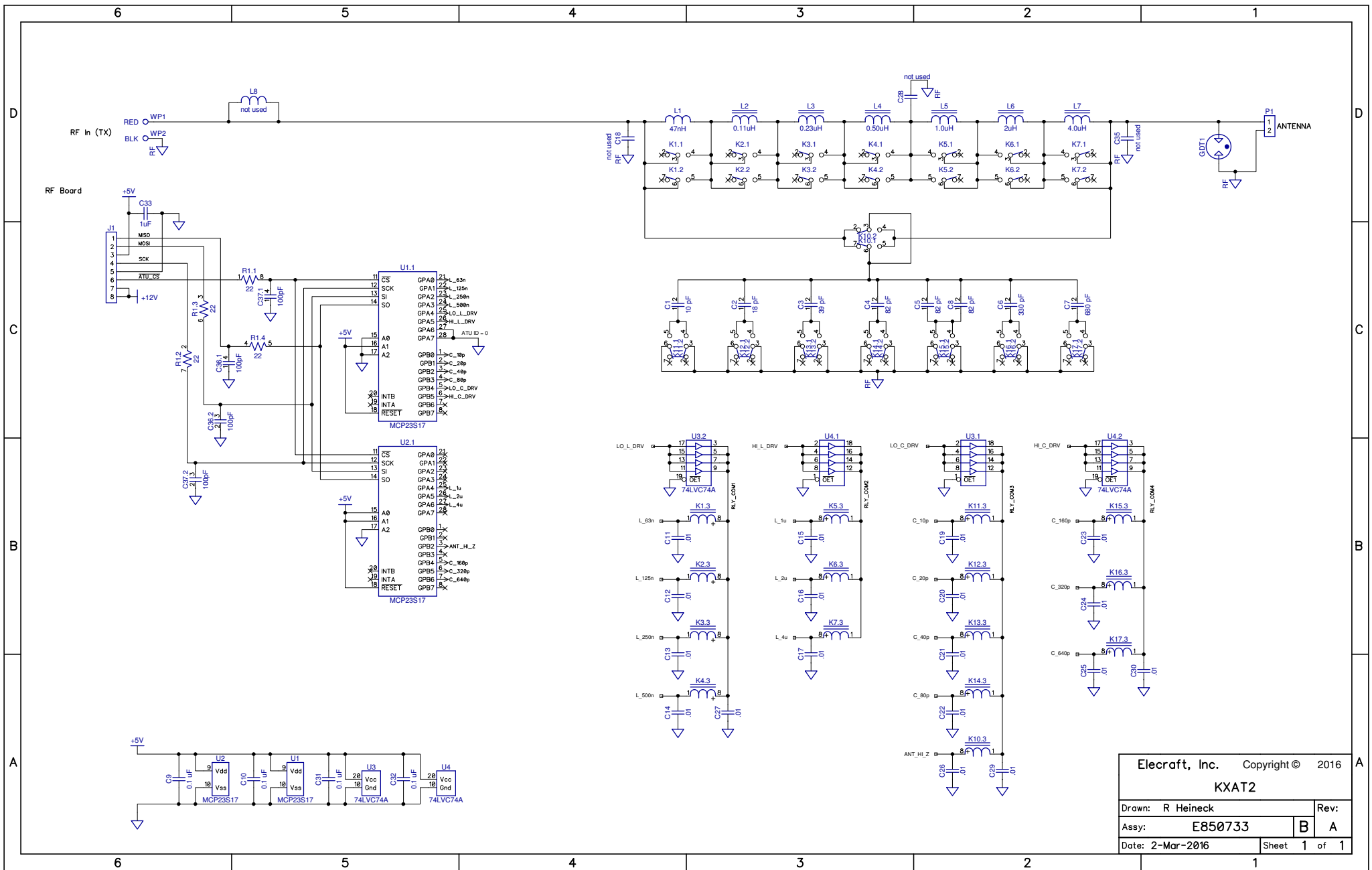


Elecraft, Inc. Copyright © 2017	
KX2 BPF Board	
Drawn: R.Heineck	Rev:
Assy: E850730U	B C
Date: 23-Mar-2017	Sheet 1 of 1

RF Board



Elecrafft, Inc. Copyright © 2015		Rev:	
KXIO2		A	B
Drawn: R Heineck		Date: 27-Mar-2016	
Assy: E850732		Sheet 1 of 1	



Elecrafft, Inc. Copyright © 2016	
KXAT2	
Drawn: R Heineck	Rev: A
Assy: E850733	Sheet 1 of 1
Date: 2-Mar-2016	