



ELECRAFT® KPA500

500-WATT AMPLIFIER

OWNER'S MANUAL

Revision C2, October 18, 2011

Copyright © 2011, Elecraft, Inc.

All Rights Reserved

Contents

Introduction.....	3
Installation	4
Mains Voltage Settings	4
Cabling	7
Operation	8
Power On.....	8
Band Switching	9
Transmitting	9
Using ALC	10
Monitoring.....	10
Remote Operation	10
Fault Conditions	11
Menu	12
Firmware Updates	13
Checking your Firmware Revision	13
Specifications.....	14
Customer Service and Support	15
Theory of Operation	16
AUX Connector Interface.....	17
KPA500 AUX Connector Pinout (DE-15 Male).....	17
Elecraft K3 Cable Connections	18
Icom Cable Connections	18
Yaesu Cable Connections.....	19
BCD Interface	19
Cabling Diagrams	20
Basic Cabling	20
K3 Enhanced Cabling.....	21



Elecraft manuals with color images may be downloaded from
www.elecraft.com.

WARNING

Dangerous Voltages Inside the KPA500

Before opening the KPA500 enclosure:

1. Turn off the KPA500 by tapping the front panel ON switch and wait until the fan stops. (The fan drains the power supply to a safe voltage.)
2. Place the rear panel rocker switch in off (O) position and disconnect mains power from the rear panel.

Key to Symbols Abbreviations and Text Styles



Important – read carefully



Operating tip



Tap switch function (labeled *above* a switch)



Hold switch function (labeled *below* a switch; hold for 1/2 sec. to activate)

LED

Light Emitting Diode

LCD

Liquid Crystal Display

Introduction

On behalf of our entire design team, we'd like to thank you for choosing the Elecraft KPA500 amplifier.

The KPA500 offers a unique combination of features. It's one of the smallest 500-W amplifiers available, yet it includes a built-in low-noise linear power supply based on a rugged toroidal transformer. It is capable of fully automatic operation, yet has an alphanumeric display and a full complement of front panel switches for precise manual control. A comprehensive remote-control command set is also included.

The KPA500 can be used with nearly any transceiver, thanks to its instantaneous RF-based band switching, advanced protection circuitry, adjustable ALC, and extensive parametric monitoring. It also has inputs that allow direct band switching from many popular transceivers. T/R is completely noise-free thanks to the use of PIN-diode switching.

Of course the KPA500 is an ideal companion for the Elecraft K3 transceiver, both physically and electrically. The K3 can sense whether the amp is in standby or operate mode, then select the appropriate per-band power settings. This allows you to set up the K3 for "barefoot" operation at one power level on each band, then switch the amp to operate and set up optimal drive levels for full 500-W output. The K3/KPA500 combination is also capable of extremely fast break-in, especially when the K3 is placed in QRQ (high-speed CW) mode. The two are so well-integrated that you can use the per-band switches on the amplifier to change bands at the transceiver.

If you use the KPA500 with both the K3 transceiver and P3 panadapter – our new "K-Line" – you'll enjoy a high degree of operating convenience, along with world-class performance *and* the power to get the job done.

73,
Wayne, N6KR
Eric, WA6HHQ

Installation

⚠ IMPORTANT: Provide at least 2 inches (5 cm) clearance behind the fan and above the amplifier for proper air flow.

The following text uses braces to refer to numbered elements in the front- and rear-panel illustrations below. For example, {1} refers to ①, the RF OUTPUT connector.

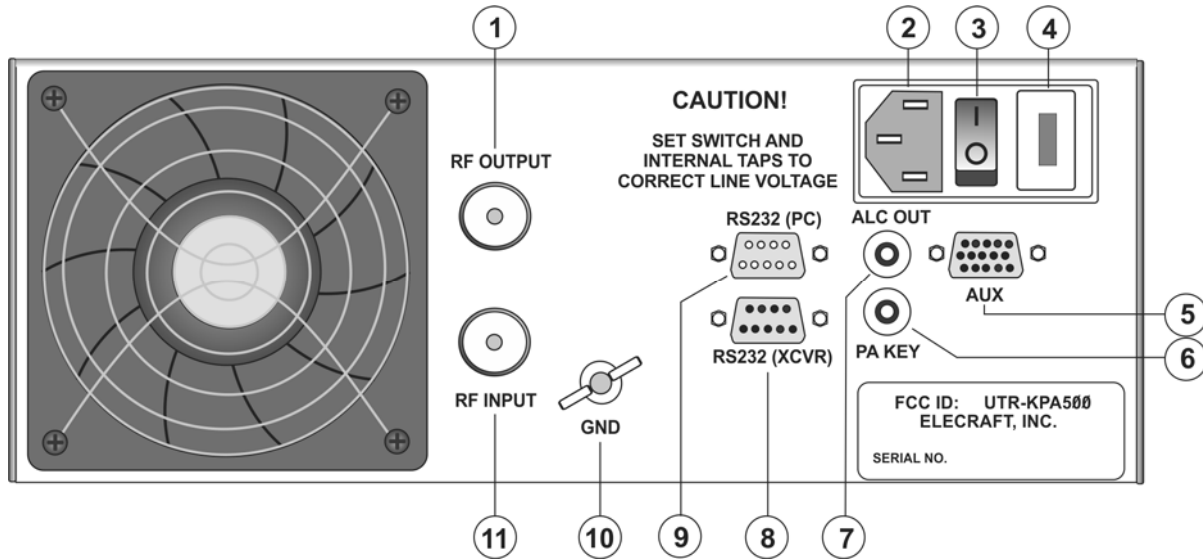


Figure 1. KPA 500 Rear Panel

Mains Voltage Settings

Your KPA500 is supplied with the power cable you ordered; either one using the 115VAC connector common in the USA or one with the common European (Schuko) plug for 200 VAC.

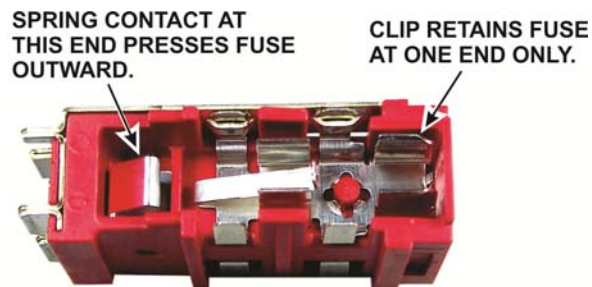
CAUTION!

Do not connect mains power to your KPA500 or attempt to turn it on before setting the fuse block switch and internal jumpers to match your supply voltage as described below; otherwise you may do extensive damage to your amplifier.

- Check to ensure the fuse block {4} is set for either 115 VAC or 230 VAC to match your mains voltage. The current voltage setting is shown in the red window. If needed, change the fuse block setting as follows:
- Position the rocker switch in the (O) position and disconnect the mains cord (if connected). Then open the door covering the fuse block and then carefully pry the red fuse block out of the holder as shown below:



- Install the proper fuses in the block. Use two 12A fuses for 115V or two 6A fuses for 230V. Use normal (fast-blow) size 3AG fuses. Both 12A and 6A fuses are supplied in marked envelopes. Note that the fuse block has a spring contact that presses one end of the fuse outward where it will rest against an electrical contact when the fuse block is reinstalled in the holder.



- Replace the fuse block so that the correct mains voltage appears in the window in the cover. The orientation of the fuse holder sets the proper connections to the power transformer for each mains voltage range. When replacing the fuse block in the holder squeeze the fuses against the spring contact so they will slide into the holder.

SQUEEZE THE FUSES INTO THE BLOCK SO THEY CLEAR THE EDGES OF THE FUSE HOLDER



- Be sure the fuse block is fully seated in the holder as shown below before trying to close the door. You may feel a lot of resistance just before it is fully seated as the fuses reach the contacts inside the holder. That is normal.



NOT FULLY SEATED

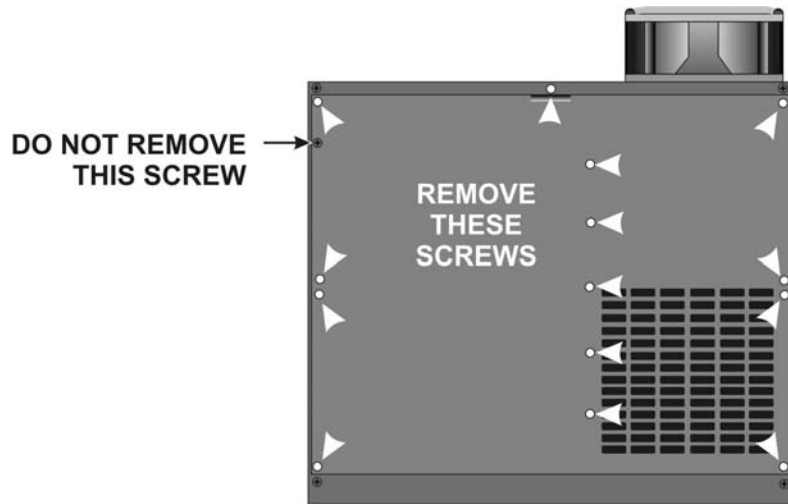


FULLY SEATED

If you are setting up your just received factory-built KPA500 or a just assembled kit, the transformer tap is already set for either 116 to 126V or 231 to 250 V. Go directly to “Test the power supply voltage output” on pg 7 to determine whether you need to adjust the tap as described below. If you are reinstalling the amplifier in a new location and are unsure of the tap setting, open the top cover to verify that the correct tap is set before applying mains power.

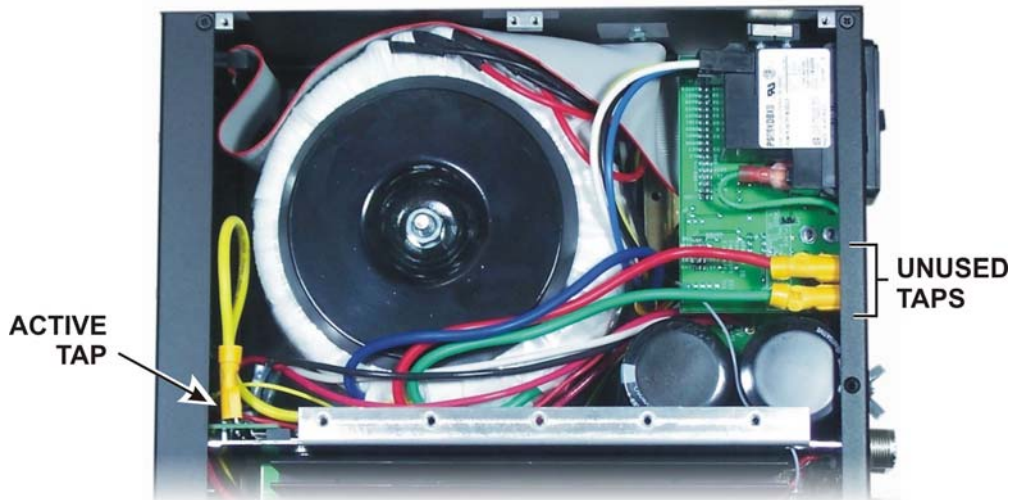
WARNING: If the KPA500 has been previously turned on, tap the front panel **ON** switch to turn it on, and then tap it again to turn the unit off and wait for the fan to stop before removing mains power. This drains the power supply to a safe voltage. When the fan stops, remove mains power at the rear panel. (Units shipped from the factory are safe to open without turning them on first).

- Remove the 14 screws securing the KPA500 top cover as shown below. Do not remove the screw indicated. It is part of the safety interlock switch mechanism. Lift the top cover off.



- Three taps are provided via red, green and yellow wires. Choose the tap according to the actual mains voltage at the outlet you plan to use for the KPA500. If you cannot measure your mains voltage, use the yellow tap.

115V Nominal Mains	TAP	230V Nominal Mains
95V to 105V	GREEN	190V to 210V
106V to 115V	RED	211V to 230V
116V to 125V	YELLOW	231V to 250V



- Be sure to place the unused taps side-by-side on the terminals at the back panel as shown. Do not leave them floating loose inside the unit.
- Replace the top cover before proceeding. An interlock switch prevents operating the amplifier with the top cover removed.

Test the power supply voltage output as follows:

- Connect the mains supply cable to {2} on the rear panel and plug the cable into the mains outlet.
- Position the rear-panel power switch {3} to On (I).
- Tap the front panel **ON** switch ({11} on Figure 2). The LCD should light.
- Tap the **HV** switch ({3} on Figure 2) and note the voltage displayed on the LCD. It must be between 65 and 85 volts. If it is outside of this range, immediately tap the **ON** switch to turn the KPA500 off, wait until the fan stops completely, and then position the rear panel power switch to off (O). The fan runs to discharge the power supply to a safe level. Do not disconnect mains power or position the rear panel rocker switch to off until the fan stops.
- Open the top cover and select a different transformer tap. If the voltage was too low, select a tap further up the list in the above table. If the voltage was too high, select a tap further down the table.

NOTE: The red FAULT LED ({7} on Figure 2) will light when you tap the **ON** switch to protect your KPA500 if the power supply voltage is too far above the upper limit. Use a power transformer tap lower on the above table and retry the test.

Cabling

See *Cabling Diagrams* (pg 20) for pictorial views of the interconnection cables.

⚠ IMPORTANT: Always turn the amplifier off using the rear panel switch ({3} in Figure 1) before attaching or removing cables.

1. Connect your station ground to the GND thumbscrew {10}. A good station ground is important for safety and to minimize local radio frequency interference (RFI).
2. Attach the RF INPUT {11} to the output of your driving transceiver or transmitter using a 50 ohm coaxial cable with a PL-259 male connector on the KPA500 end. The driving transmitter must supply up to 40 watts for full output from the KPA500.
3. Attach the RF OUTPUT {1} to a suitable load with an SWR of less than 1.5:1. A dummy load is strongly recommended for initial testing.
4. Connect the PA KEY {6} to the driving transmitter Key Output. A suitable cable is supplied with your KPA500. The transmitter must ground this circuit during transmit while sinking up to 1 mA from the PA KEY line. If the transmitter Key Output is not a contact closure or equivalent, it must be at a level between +4 and +16 VDC during receive. (Compatible with all known transmitters. No key line buffer required.)
5. **Optional:** An auxiliary (AUX) connector is provided that permits more closely integrating the operation of the KPA500 with many transceivers, including the Elecraft K3. A suitable cable for use with the K3 is available from Elecraft. See *AUX Connector Interface* on pg 17.
6. **Optional:** RS232 (PC) {9} connects the KPA500 to your personal computer with a standard 9-pin serial cable. Required for updating the KPA500 firmware.
7. **Optional:** RS232 (XVCR) {8} connects the KPA500 to a Kenwood transceiver using a standard 9-pin serial cable. This connector cannot be used to update KPA500 firmware (see pg 13).
8. **Optional:** ALC OUT {7} provides level information to control the driving transmitter RF level. The output is negative-going from 0 VDC to -12VDC.

Operation

Power On

1. Ensure a suitable 50 ohm load is attached to the RF OUTPUT connector on the rear panel (Figure 1, {1}). A dummy load is strongly recommended for initial tests.
2. Enable the power supply by pressing the rear panel rocker switch (Figure 1, {3}) to the On (I) position.

IMPORTANT

Switches with a legend above and below the pushbutton have two functions. **Tap** (*press briefly*) to activate the function labeled **above** a switch. **Hold** to activate the function labeled **below** the switch. In the text, *tap* functions are shown like this:

TEMP. An example of a *hold* function is **PK HOLD**.

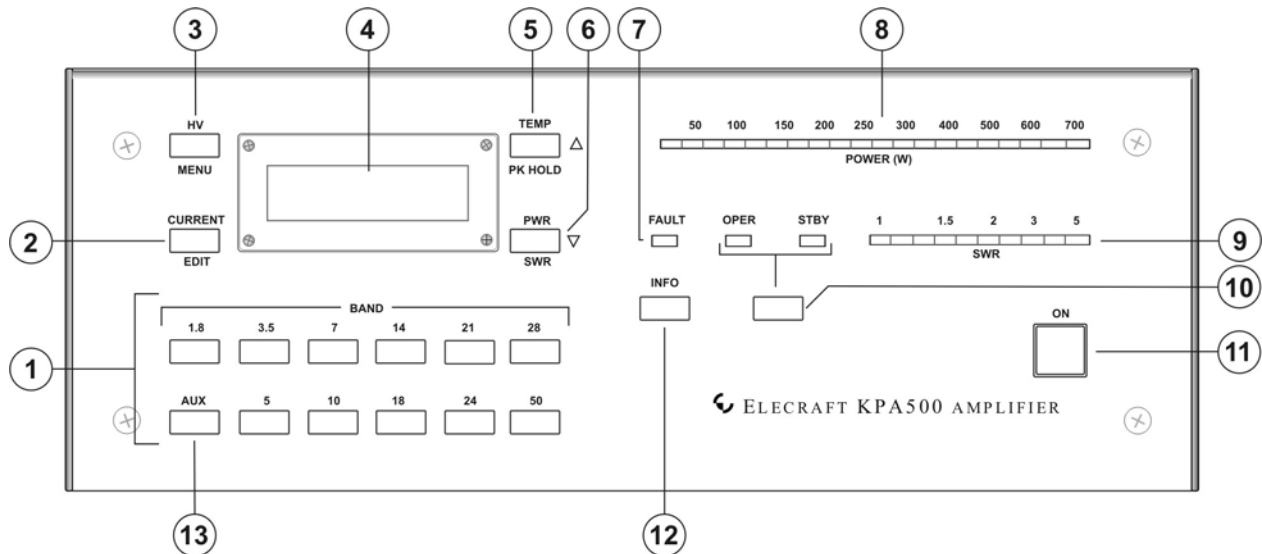


Figure 2. KPA500 Front Panel.

3. Tap the **ON** switch {11}. The LCD {4} and STBY LED should light. When you tap the **ON** switch again to turn the amplifier off you will hear the fan run. This is done to bleed off the 60V power supply voltage. The fan stops when the voltage reaches a safe level so, if you are preparing to open the KPA500 cabinet for any reason, be sure to allow the fan to run until it stops before switching off power with the rear panel rocker switch or unplugging the KPA500 from mains power.

NOTE: If at any time the FAULT LED {7} lights, refer to *Fault Conditions*, pg. 10.

Band Switching

Automatic Band Switching: The KPA500 automatically measures the frequency of the RF drive and selects the proper band. The PA KEY input must be connected to the driving transmitter.

Manual Band Switching: Tap any of the front-panel BAND switches to select that band.

Coordinated K3 and KPA500 Band Switching: When the optional AUX cable (pg 7) is connected between the KPA500 and the K3:

- The KPA500 will follow the band selected on a K3 transceiver.
- Tapping a BAND switch on the KPA500 will cause the K3 to change bands accordingly.

Band switching control in which the KPA500 follows the transceiver band selection without transmitting is available with other popular transceivers such as Icom and Yaesu with the appropriate interconnection cable. See *AUX Connector Interface* on pg 17. However, the control is one-way. The KPA500 cannot command the transceiver to change bands.

⚠ Important: The automatic band selection function is active whenever the PA KEY is low (transmit mode) and the transmitter is delivering RF drive to the KPA500. The automatic band selection function overrides band selection made by any other means to protect the KPA500 from damage by wrong-band operation.

Transmitting

The POWER (W) and standing wave ratio (SWR) bargraphs are functional when the amplifier is in standby (STBY). Twenty-five watts from the driving transceiver will illuminate the first POWER LED. You may run up to 100 watts through the KPA500 in STBY.

1. Tap the operate/standby (OPER/STBY) switch {10} and confirm that the STBY LED goes out and the OPER LED lights.
2. Apply a few watts of RF drive and note that the POWER (W) {8} bargraph illuminates to indicate the RF output power. Never exceed 40 watts of drive to the KPA500 in OPER mode. The KPA500 will not amplify without the PA KEY signal. Note that an asterisk will appear on the left side of the LCD display confirming that a valid PA KEY signal is being received from the driving transceiver. If an underscore appears instead of the asterisk, amplifier operation is being inhibited (See the *INHIBIT* menu entry on pg 12)

NOTE: If you apply RF drive at a frequency below 1.6 MHz, between 26 MHz and 28 MHz, or above 54 MHz, *INVALID* will appear on the LCD and the KPA500 will not amplify.

3. Increase the drive power and confirm that the SWR bargraph {9} indicates less than 1.5 while the output indicated by the POWER (W) LEDs increases. For ease in reading the critical SWR levels, the SWR LEDs are green from 1 to 1.5. The 1.5 to 2.1 SWR LEDs are yellow and the LEDs for SWRs above 2.1 are red. Up to 40 watts of drive may be required to produce the full 500 watts output from the KPA500. It is normal to hear hum from the power transformer. The hum level will increase with the power level.
4. When driving the KPA500 with an Elecraft K3, use the K3's per-band power control to set the amplifier output just below the desired peak output on each band. Do not rely on ALC to control the power output (see *Using ALC*, pg 10). If you use the AUX cable interface between the K3 and KPA500 (pg 17), the KPA500 will send the OPER/STBY status to the K3. You can then set two per-band power levels at the K3: one to drive the KPA500 when it is in OPER mode and another for pass-through transmitting when the KPA500 is in STBY. The K3 will automatically furnish your preset power levels as you switch the KPA500 between OPER and STBY.

Using ALC

Automatic Level Control (ALC) is a useful safety mechanism, but never use ALC as the principle power control. Doing so causes many of the unwanted transmit dynamics you often hear on the air including excessive intermodulation distortion (IMD) and clicks. Instead, set your transmitter power output correctly as described under *Transmitting* (pg 9) and adjust the ALC so it does not affect output power in normal operation. To do this, drive the KPA500 to the desired output. Adjust *ALC THR* in the menu (pg 12) until power just starts to drop and then set *ALC THR* above this setting so it does not affect the output power in normal operation.

The Elecraft K3 ALC intentionally has a slow attack and much slower decay to avoid adding more distortion or dynamics problems than necessary. However, not all of the negative effects of ALC action can be avoided. It is still best to set the ALC threshold and then adjust the drive to avoid ALC action in normal operation.

Monitoring

KPA500 operation is monitored by the LEDs {7}, {8} and {9} and reported in text on the LCD.

LEDs

The SWR of the load and the output power are displayed on LED bar graphs. The bar graphs are color-coded: green for normal operating range, yellow for marginal levels and red for excessive levels. Excessive levels may trigger a fault and shut the KPA500 off (see *Fault Conditions* below). An LED {7} lights if a fault condition occurs. Also two LEDs {10} indicate whether the amplifier is in standby (STBY) or operating (OPER) mode.

LCD

Normally the LCD displays the band currently selected. The four switches around the LCD select other information to be displayed on the screen and the behavior of the LEDs. Note that these switches have both tap and hold functions (pg 8). Repeat the tap or hold action to return the LCD to the band display.

- **HV** {3} displays the PA voltage on the LCD. Must be between 65 and 85 V when the KPA500 is in STBY.
- **CURRENT** {2} displays the PA current on the LCD. Must never exceed 20 A.
- **TEMP** {5} displays the heat sink temperature on the LCD. Must be less than 90C.
- **PWR** {6} displays the output power numerically on the LCD. Must not exceed 650 W.
- **MENU** {3} displays the menu system (see pg. 12).
- **EDIT** {2} enables editing menu parameters (see pg. 12).
- **PK HOLD** {5} toggles the peak power output display on the bar graph. When enabled, the LED corresponding to the peak power output remains lighted for one second.
- **SWR** {6} displays the load SWR numerically on the LCD.

Remote Operation

The KPA500 can be controlled remotely using a personal computer connected to the RS232 port. A basic remote operating capability is built into the KPA500 Utility program (see pg 13). For those who may wish to develop their own software, a Command Reference Manual is available on the Elecraft web site. (www.elecraft.com).

Fault Conditions

The FAULT indicator {7} lights and the speaker sounds to indicate a fault condition has occurred. To avoid unnecessarily interrupting amplification because of moderately abnormal conditions, there are two levels of faults that may occur, attenuator faults and hard faults.

Attenuator Faults

Relatively minor faults such as excessive reflected power cause an internal 3dB attenuator to be switched into the RF path that reduces the output to protect the KPA500. When an attenuator fault occurs, the FAULT LED blinks and the cause is displayed on the LCD for about 1 second. The KPA500 tests the condition at intervals and will return to normal operation automatically after the cause of the fault is removed. The interval between tests is set with the *ATTEN REL* menu (pg 12). If the fault persists over time or if it is severe enough, a hard fault will occur.

Hard Faults

Hard faults are those that require switching the KPA500 to STBY to protect it, such as conditions of extremely high reflected power or high drive power, or because a critical component such as a power supply has failed. When a Hard Fault occurs, the cause of the fault is displayed on the LCD. When the condition has been corrected, tap the OP/STBY switch to return the KPA500 to normal operation, or tap the **INFO** switch to return the KPA500 to STBY mode.

LCD Display	Fault	Fault Type	Fault No. ¹
<i>GAIN ERR</i>	Excessive overall amplifier gain.	Hard	15
<i>HI CURR</i>	Excessive power amplifier current. ²	Attenuator→Hard	2
<i>HI TEMP</i>	Power amplifier temperature over limit. ²	Hard	4
<i>PWRIN HI</i>	Excessive driving power.	Attenuator→Hard	6
<i>PA DISS</i>	Power amplifiers are dissipating excessive power. ²	Hard	11
<i>POUT HI</i>	Excessive power output.	Attenuator→Hard	12
<i>REFL HI</i>	Excessive reflected power (high SWR).	Attenuator→Hard	9
<i>60V HIGH</i>	60 volt supply over limit (see <i>Mains Voltage Settings</i> , pg 4).	Hard	8
<i>60V FAIL</i>	60 volt supply failure. Requires cycling KPA500 mains power after it is corrected. ³	Hard	13
<i>270V ERR</i>	270 volt supply failure. Requires cycling KPA500 mains power after it is corrected. ³	Hard	14
N/A	Communication failure between KPA500 and K3.	N/A	0

NOTES:

1. When the KPA500 is used with the Elecraft K3 transceiver, and the optional K3 interface cable (see *Elecraft K3 Cable Connections*, pg 18) is used to connect the K3 to the KPA500, these numbers will be displayed on the K3's LCD briefly if a **hard** fault occurs.
2. These faults are commonly caused by excessive power output or excessive reflected power.
3. An open KPA500 top cover interlock switch will cause this fault. See pg 6. If you have just built your KPA500 from a kit, ensure the interlock switch actuator is assembled exactly as shown under *Top Cover and Side Handle* in the Assembly Manual. Leaving any parts out will cause the actuator to be too short to operate the interlock switch properly.

Menu

Holding **MENU** {3} enables the menu function to allow the following parameters to be set. With the menu function enabled, the MENU, EDIT and switches next to the Δ and ∇ symbols all respond to a simple tap. Use them to scroll through the menu items. Tap **EDIT** and then the Δ and ∇ switches to select the parameter and tap **MENU** again to save the parameter. Tap **MENU** to exit the menu.

To reset all the parameters to the default value, press and hold the **EDIT** switch while tapping the **ON** switch to turn the KPA500 on.

Menu Entry	Default	Description
<i>ALC THR</i>	210	ALC Threshold Adjustment: 0 to 210 . See <i>Using ALC</i> on pg 10.
<i>ATTN REL</i>	3	Attenuator Release Time: 1.4 – 5 seconds.
<i>BAND CHG</i>	NOR	NOR : OPER/STBY status the same after band change. STBY : Switches amp to standby after band change.
<i>DEMO</i>	NOR	Factory Use Only.
<i>FAN CTL</i>	NOR	Sets minimum fan speed. NOR : fan is off when not needed. 1 to 6 : selects various minimum speeds. Fan speed increases automatically as needed for cooling.
<i>FW REV</i>		Displays firmware revision.
<i>INHIB IN</i>	<i>DISABLE</i>	ENABLE allows the amplifier operation to be inhibited (won't amplify) when a logic low is applied to pin 11 of the AUX Connector (see pg 17). When amplification is inhibited, an underscore instead of the asterisk appears on the left end of the LCD display.
<i>LCD ADJ</i>	30	LCD Contrast Adjustment.
<i>LCD BRT</i>	6	LCD Backlight Brightness. Use DAY in bright sunlight. 2 to 8 for indoor lighting.
<i>LED BRT</i>	6	LED Brightness.
<i>PWR ADJ</i>	100	By-Band Wattmeter Calibration, range 80 to 120 . These are percentages of the measured value.
<i>PWR ON</i>	STBY	STBY : Amp is in standby mode when first turned on. OPER : Amp is in operate mode when first turned on.
<i>RADIO</i>	K3	Specifies driving transceiver interface: K3 : Allows use of Auxbus interface which allows the KPA500 band switches to change bands on the K3; sends KPA500 mode to the K3 so the K3 can automatically select correct drive power when the KPA500 is in OPER (see 9); reports KPA500 faults to K3. BCD : Signals provided by Yaesu transceivers. ANALOG : Signals provided by Icom transceivers. Note that Icom transceivers do not identify WARC bands, but KPA500 frequency sensing will switch the KPA500 to the correct band upon transmit. SERIAL : Kenwood/Elecraft compatible interface using RS232X port. If transceiver is in split mode, the transmit frequency will select proper band at KPA500.
<i>RS232 P</i>	38400	PC Serial Port Speed: 4800, 9600, 19200, 38400 bps
<i>RS232 X</i>	4800	Transceiver Serial Port Speed: 4800, 9600, 19200, 38400 bps. Set <i>RADIO</i> to SERIAL.
<i>SER NUM</i>		Displays the unit serial number.
<i>SER POLL</i>	N/A	ON : Enables KPA500 polling of the transceiver for frequency band via RS232X port (e.g. for Kenwood/Elecraft compatible interface). Note: <i>RADIO</i> menu entry must be set to SERIAL. OFF : Other device (PC, etc.) polls transceiver for frequency band. N/A : RADIO menu not set to SERIAL.
<i>SPEAKER</i>	ON	Speaker (fault annunciator) ON or OFF .
<i>TR TIME</i>	0	QSK Delay Time: 0 to 50 ms; Slows T/R release time for transceivers with poor transmit timing characteristics.


Firmware Updates

From time to time updated and improved firmware may become available for the KPA500.

To update firmware you will need:

- The KPA Utility Program available free from Elecraft at www.elecraft.com.
- An RS-232 cable.
- A computer with an RS232 port or a USB interface and a USB to RS232 converter such as the KUSB Universal Serial Bus adapter available from Elecraft.

Connect your KPA500 RS232 (PC) port to your computer and launch the KPA Utility program.

 IMPORTANT: Your PC must be connected directly to the RS232/PC port. You cannot 'daisy chain' the KPA500 with the K3 through the RS232 XCVR port.

Updated firmware may be obtained in two ways.

1. Click on Firmware tab and then the Click on Copy Firmware Files from Elecraft to download the latest production released firmware or,
2. Download the new file from the Elecraft web site manually and place it in a local folder, then click on Browse... to locate the folder on your computer. This is the way to access the latest Beta firmware available from Elecraft.

To install new firmware in your KPA500, click on the utility Send Firmware to the KPA500 button to start the transfer. Follow any on-screen instructions. During download the LCD will display *MCU LOAD* and the STBY LED will flash rapidly. The KPA500 will return to its normal power on state when the transfer is completed.

Be sure to check the notes supplied with the new firmware. They may include changes that affect the instructions in this manual.

If you don't have Internet access, you can obtain a firmware upgrade on CD. If you don't have a computer, you can send your KPA500 to Elecraft to be upgraded. See Customer Service, pg.15.

Checking your Firmware Revision

Use the MENU entry *FW Rev* to determine your firmware revision.

Specifications

Frequency Range	All Amateur Bands from 1.8 to 29.7 MHz and 50 to 54 MHz
Supply Voltage and Current	100 to 125 VAC or 200 to 250 VAC, 50/60 Hz, approx. 1000 VA
Weight	26 lbs (11.8 kilograms)
Size	Enclosure only, 4.0 x 10.8 x 10.0 in., HWD (10.2 x 27.4 x 25.4 cm). With projections, 4.4 x 10.8 x 11.8 in. (11.2 x 28.4 x 30.0 cm). The projections are the bottom feet and the fan and cable connectors on the rear. When installing, allow an additional 2" (5.1 cm) behind the fan and above the top cover for unrestricted air flow.
Power Output	500 watts PEP CW/SSB/Data
Duty Cycle at 500 Watts	10 minutes key down / 5 minutes standby
Drive Power	30 to 40 watts for 500 watts output
Input VSWR	Less than 1.5:1
ALC Out	Negative-going, adjustable.
Metering	Power Output, SWR (bargraph and on the LCD display), supply voltage and current, temperature, frequency band.
PA Current	20 A maximum
PA Voltage	60 VDC, nominal
Heat Sink Temperature	90°C, maximum
Key In	+5V maximum, open circuit on receive, closed to ground on transmit (1 mA max.)
Efficiency	Approximately 50%

Customer Service and Support

Technical Assistance

You can send e-mail to support@elecraft.com and we will respond quickly – typically the same day Monday through Friday. If you need replacement parts, send an e-mail to parts@elecraft.com. Telephone assistance is available from 9 A.M. to 5 P.M. Pacific time (weekdays only) at 831-763-4211. Please use e-mail rather than calling when possible since this gives us a written record of the details of your problem and allows us to handle a larger number of requests each day.

Repair / Alignment Service

If necessary, you may return your Elecraft product to us for repair or alignment. (Note: We offer unlimited email and phone support, so please try that route first as we can usually help you find the problem quickly.)

IMPORTANT: You must contact Elecraft before mailing your product to obtain authorization for the return, what address to ship it to and current information on repair fees and turn around times. (Frequently we can determine the cause of your problem and save you the trouble of shipping it back to us.) Our repair location is different from our factory location in Aptos. We will give you the address to ship your kit to at the time of repair authorization. *Packages shipped to Aptos without authorization will incur an additional shipping charge for reshipment from Aptos to our repair depot.*

Elecraft 1-Year Limited Warranty

This warranty is effective as of the date of first consumer purchase (or if shipped from the factory, the date the product is shipped to the customer). It covers both our kits and fully assembled products. For kits, before requesting warranty service, you should fully complete the assembly, carefully following all instructions in the manual.

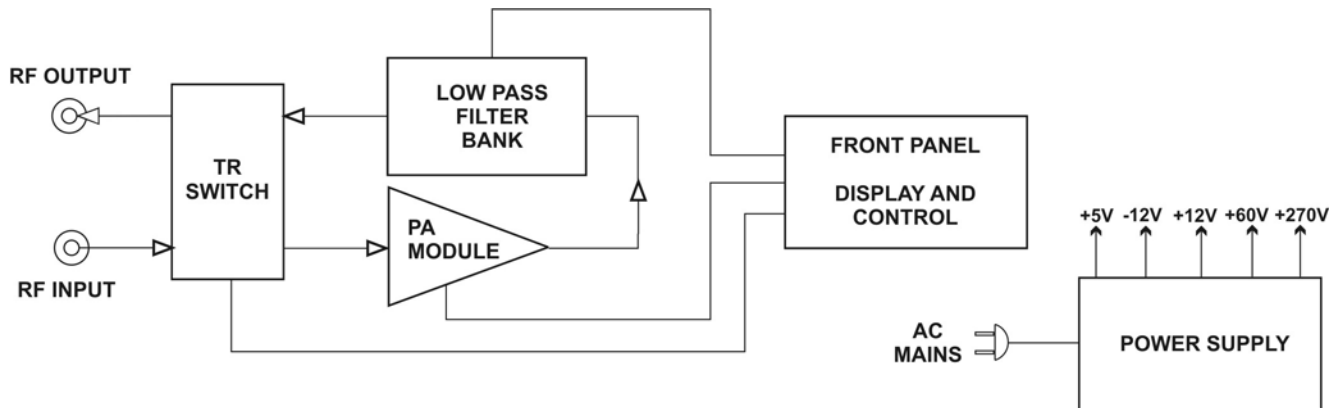
Who is covered: This warranty covers the original owner of the Elecraft product as disclosed to Elecraft at the time of order. Elecraft products transferred by the purchaser to a third party, either by sale, gift, or other method, who is not disclosed to Elecraft at the time of original order, are not covered by this warranty. If the Elecraft product is being bought indirectly for a third party, the third party's name and address must be provided at time of order to ensure warranty coverage.

What is covered: During the first year after date of purchase, Elecraft will replace defective or missing parts free of charge (post-paid). We will also correct any malfunction to kits or assembled units caused by defective parts and materials. Purchaser pays inbound shipping to us for warranty repair; we pay shipping to return the repaired equipment to you by UPS ground service or equivalent to the continental USA and Canada. For Alaska, Hawaii, and other destinations outside the U.S. and Canada, actual return shipping cost is paid by the owner.

What is not covered: This warranty does not cover correction of kit assembly errors. It also does not cover misalignment; repair of damage caused by misuse, negligence, or builder modifications; or any performance malfunctions involving non-Elecraft accessory equipment. The use of acid-core solder, water-soluble flux solder, or any corrosive or conductive flux or solvent will void this warranty in its entirety. Also not covered is reimbursement for loss of use, inconvenience, customer assembly or alignment time, or cost of unauthorized service.

Limitation of incidental or consequential damages: This warranty does not extend to non-Elecraft equipment or components used in conjunction with our products. Any such repair or replacement is the responsibility of the customer. Elecraft will not be liable for any special, indirect, incidental or consequential damages, including but not limited to any loss of business or profits.

Theory of Operation



When the KPA500 is in operating (OPER) mode, RF is routed by the transmit-receive (TR) switch to the power amplifier (PA) module where it is amplified by a pair of VRF2933 FETs.

The PA module output is routed to the low pass filter (LPF) bank input. The LPF bank provides filters for each frequency band. The frequency of the incoming signal is monitored and the appropriate filter is automatically switched into the signal path. The filter also may be selected by band data provided by the transceiver or by front panel switches on the KPA500. However, the automatic selection based on the incoming signal frequency overrides either of those inputs to ensure the correct bandpass filter is always in the signal path.

The output of the LPF bank is routed to the RF output via the TR switch.

During receive or when the KPA500 is in Standby (STBY), the TR switch routes the RF input directly to the RF output, bypassing both the PA module and the low pass filter bank.

The MCU in the display and control module monitors and makes critical measurements of a number of operating conditions including two levels of fault conditions that automatically alter the operation of the KPA500 (see pg 11).

AUX Connector Interface

⚠ IMPORTANT: Do not attach a common VGA cable to the AUX connector.

The AUX connector provides an optional interface that more closely integrates the KPA500 with the driving transceiver. Below are the signals available at the AUX connector. Specific cable connections for Elecraft, Icom and Yaesu equipment follow.

Refer to the *RADIO* entry in the menu (pg 12) to enable communications via the AUX connector.

KPA500 AUX Connector Pinout (DE-15 Male)

Signal Name	Pin	Direction	Notes
Band VRef (Icom)	1	In	Reference for Icom input – connect to 8V
AuxBus I/O	2	Out	K3 Only
Band1 In	3	In	BCD Band Input – Bit 1*
NC	4		
GND	5		
Band V (Icom)	6	In	Uses Icom standard band voltages
Alarm Out	7	Out	Drives low for fault input Not used by K3. Must not be connected to K3.
Power On/Off	8	In	Pulse low to turn KPA on or off – do not hold low!
Band2 In	9	In	BCD Band Input – Bit 2*
Key	10	In	Low enables amplification. Internally pulled up to +5V. Sources 1 mA when pulled to ground. Diode isolated from the PA KEY RCA jack.
Inhibit#	11	In	Low inhibits amplifier operation
GND	12		
Band0 In	13	In	BCD Band Input – Bit 0*
Band3 In	14	In	BCD Band Input – Bit 3*
ALC	15	Out	ALC output to transceiver

* See pg 19 for the BCD band codes used.

Details of Aux Connector wiring cables for popular transceivers are shown on the following pages.

Elecraft K3 Cable Connections

This is available direct from Elecraft (pg 15): order KPAK3AUX . Pins not shown have no connection.

KPA500 AUX CONN. PIN	K3 AUX CONN. PIN	SIGNAL
2	2	AUXBUS
3	3	BAND 1
5	5	GND
9	9	BAND 2
10	10	PTT (See Note)
11	11	Inhibit
12	12	GND
13	13	BAND0
14	14	BAND3
15	15	ALC (Optional, see pg 10)

Notes:

1. If you have devices that need access to the PTT line (e.g. some ATUs, SteppIR controllers, etc.), use the key line interrupter supplied with your KPAK3AUX cable set. The interrupter breaks the pin 10 line so you can use the separate PA Key cable (see the *K3 Enhanced Cabling* diagram on pg 21).
2. Pin 4 is not used but the wire is included in the KPAK3AUX cable.

Icom Cable Connections

Various models of Icom radios use either a 13-pin DIN or a 8-pin DIN connector. Be sure to use the connector that is correct for your radio. Pins not shown have no connection.

KPA500 AUX CONN. PIN	ICOM DIN13 CONN. PIN	ICOM DIN7 CONN. PIN	SIGNAL
1	1	1	8V Reference
5	2	2	Gnd
6	5	4	Band Voltage (Not CI-V)
10	3	3	HSEND
15	6	5	ALC (Optional, see pg 10)

Yaesu Cable Connections

Although various models of Yaesu radios use either DIN8/262 or a MiniDIN8 connector, the pin connections are the same. Pins not shown have no connection.

KPA500 AUX CONN. PIN	YAESU CONN. PIN	SIGNAL
3	5	Bit 1
5	3 & 8	GND Note: Yaesu pin 8 must be grounded or TX is inhibited.
9	6	Bit 2
10	2	Key
13	4	Bit 0
14	7	Bit 3

BCD Interface

The following are the band codes used by the KPA500:

Band (Meters)	BCD Code
60	0x0
160	0x1
80	0x2
40	0x3
30	0x4
20	0x5
17	0x6
15	0x7
12	0x8
10	0x9
6	0xA

Cabling Diagrams

See *Cabling* on pg 7 for details of the interface requirements.

⚠ IMPORTANT: Always turn the amplifier off using the rear panel rocker switch before attaching or removing cables.

Basic Cabling

The following setup (Figure 3) may be used with the Elecraft K3, K2 or any HF/6 meter transmitter that has a PA Key output meeting the requirements shown under *Cabling* on pg 7. The transmitter output power must be adjustable as described under *Transmitting* on pg 9.

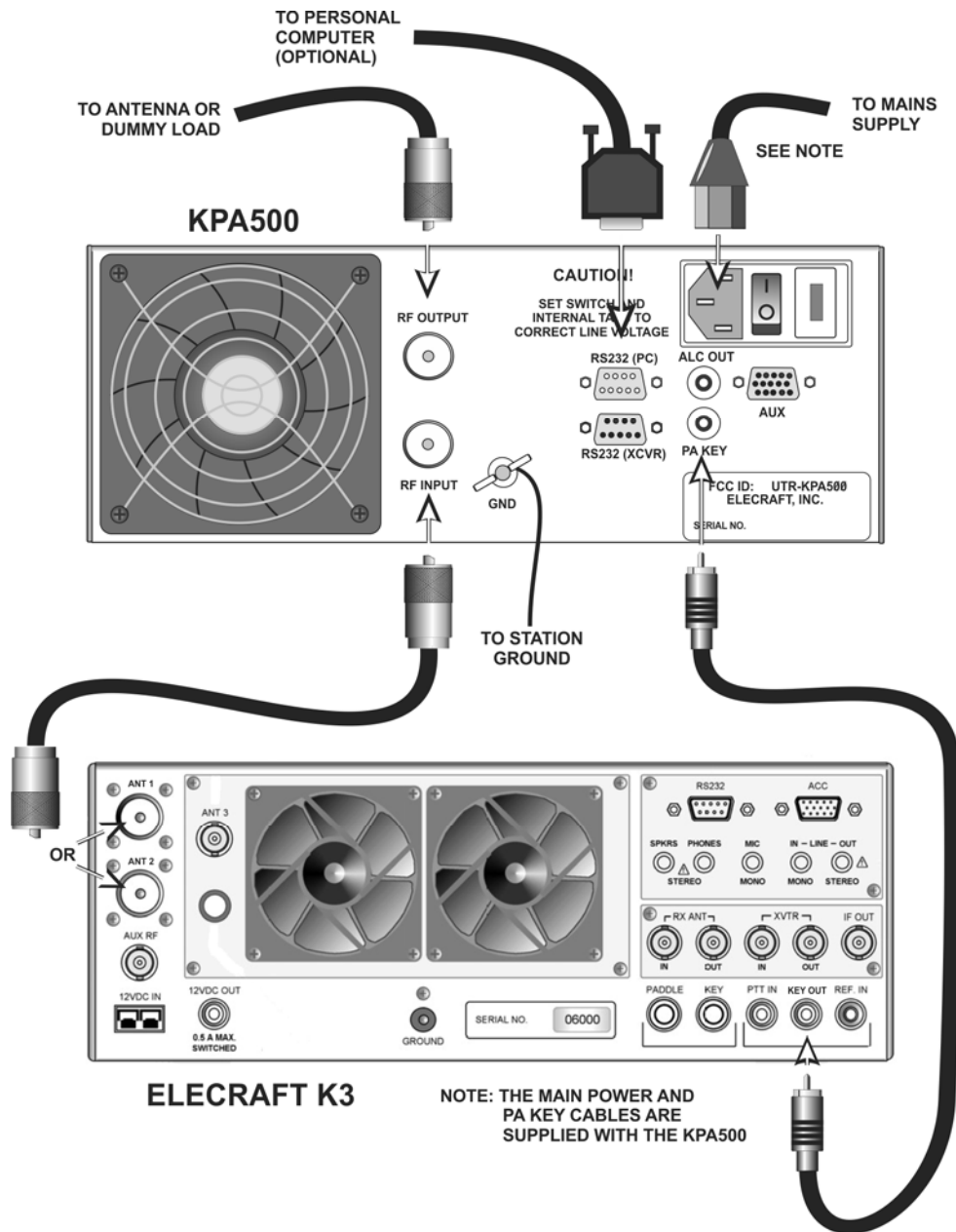


Figure 3. Basic Cabling Diagram.

K3 Enhanced Cabling

The cabling shown in Figure 4 provides all the operational features described under *Operation*, including coordinated band-switching (pg 9). The AUX to ACC cable is described under *Elecraft K3 Cable Connections* (pg 18). A PA Key cable not used unless you choose to disconnect the PA Key line in the AUX to ACC cable as described on pg 18.

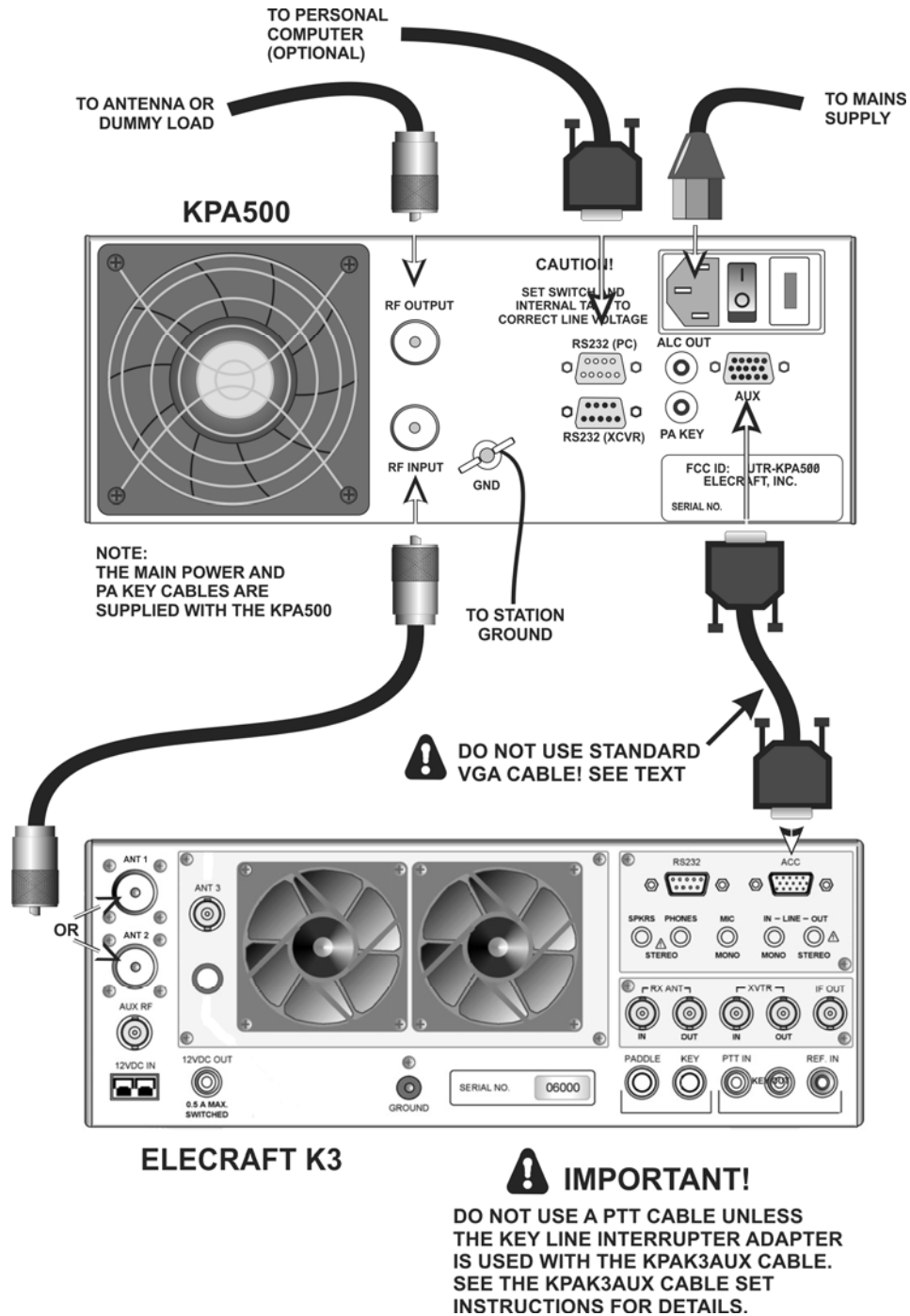


Figure 4. K3 Enhanced Cabling.