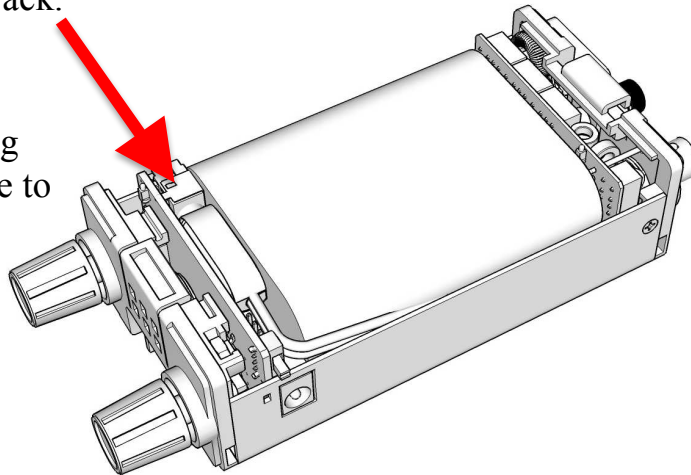


**IMPORTANT NOTE REGARDING BATTERY PLUG EXTRACTION**

When extracting the internal battery plug using the plastic pull-tab, use a finger or thumb on the other hand to press lightly on the mating pcb jack.

This will keep the battery charger board from rocking and coming unplugged due to excess extraction force.

**FEATURES DESCRIBED IN THE MANUAL BUT NOT YET IMPLEMENTED**

- VBAT Ah reading/zeroing (in *MENU:VBAT*)
- Adding seconds to RTC time-setting menu entry (*MENU:ADJ TIME*)
- Switch tones (including Morse-audio feedback)

**MANUAL CORRECTIONS AND OMISSIONS**

(None)