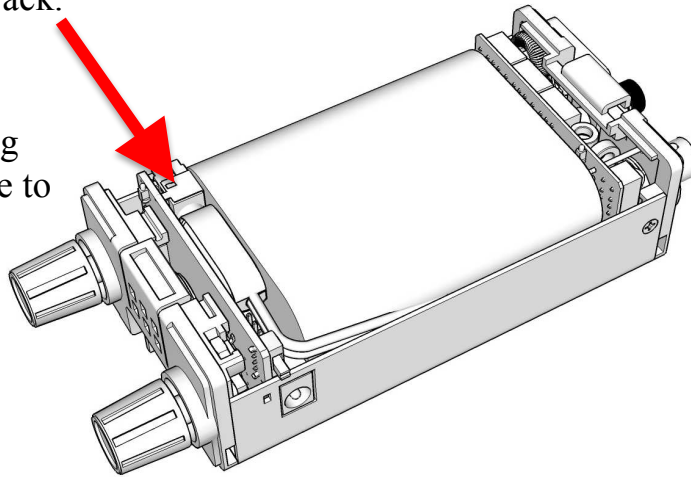


IMPORTANT NOTE REGARDING BATTERY PLUG EXTRACTION

When extracting the internal battery plug using the plastic pull-tab, use a finger or thumb on the other hand to press lightly on the mating pcb jack.

This will keep the battery charger board from rocking and coming unplugged due to excess extraction force.

**FEATURES DESCRIBED IN THE MANUAL BUT NOT YET IMPLEMENTED**

- CW/SSB cross-mode operation
- Internal logging to 32K EEPROM
- VBAT Ah reading/zeroing (in *MENU:VBAT*)
- Adding seconds to RTC time-setting menu entry (ADJ TIME)
- *ADJ DATE* menu entry
- Switch tones (including Morse-audio feedback)

OTHER PENDING FEATURES

- Use of SPD+/SPD- switches as DOT/DASH (in the event the operator forgets to bring a keyer paddle).