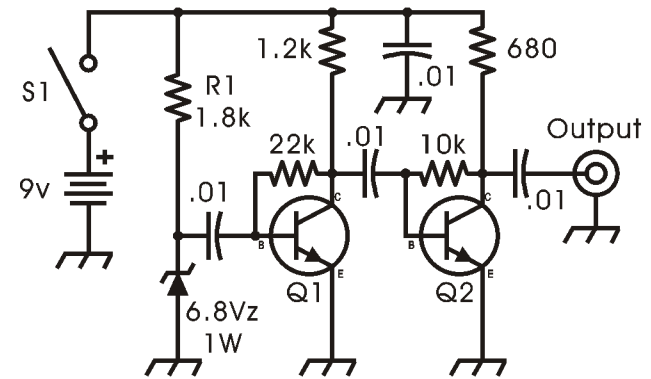
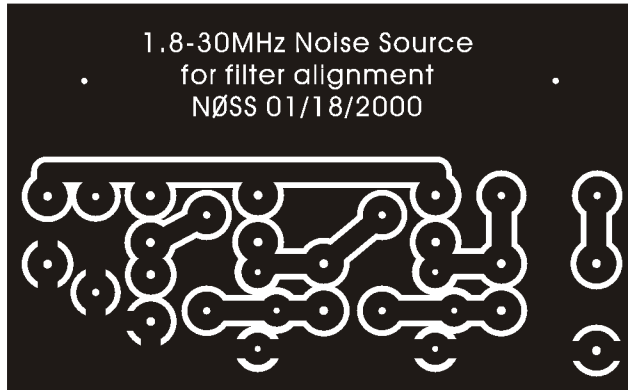
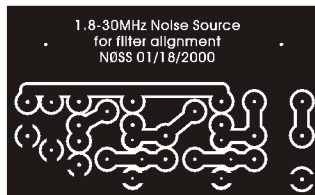
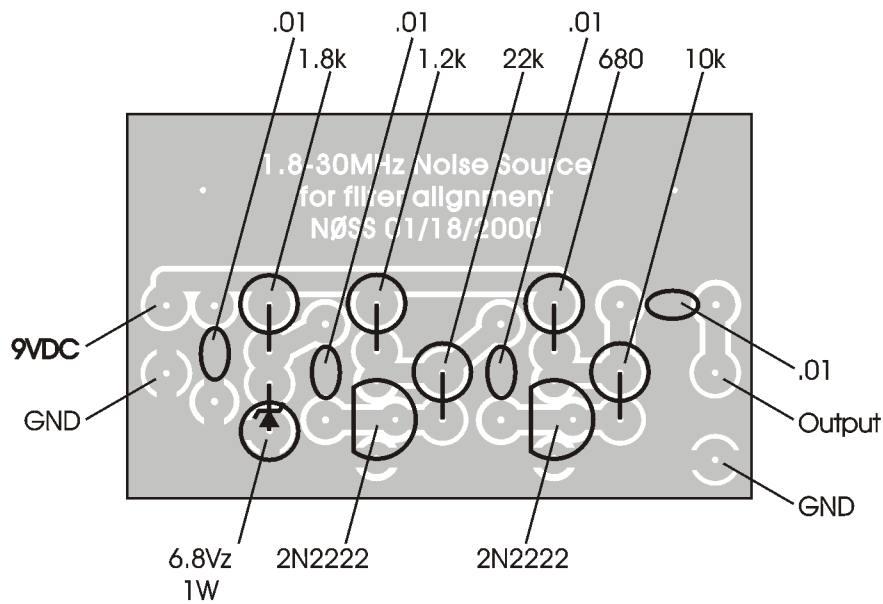


Broadband (HF) Noise Generator for K2 Filter Alignment

PC Board Layout is 2X Final Size (1-5/8" x 1")



Q1, Q2 - 2N2222



PC Board size: 1-5/8" x 1"

Notes:

If you wish to attempt to optimize the noise level from this device, you may replace R1 with a 5K potentiometer IN SERIES with a 500-ohm resistor. Turn the device on and then adjust the pot for a maximum noise level. Then turn the device off and measure the resistance of the pot and fixed resistor together and then replace them with a fixed value resistor of an equivalent resistance.

If you wish to be able to adjust the output level of the noise source, connect a 1k pot from the output of the 0.01uF output capacitor to ground and connect the Output connector the wiper of the pot.