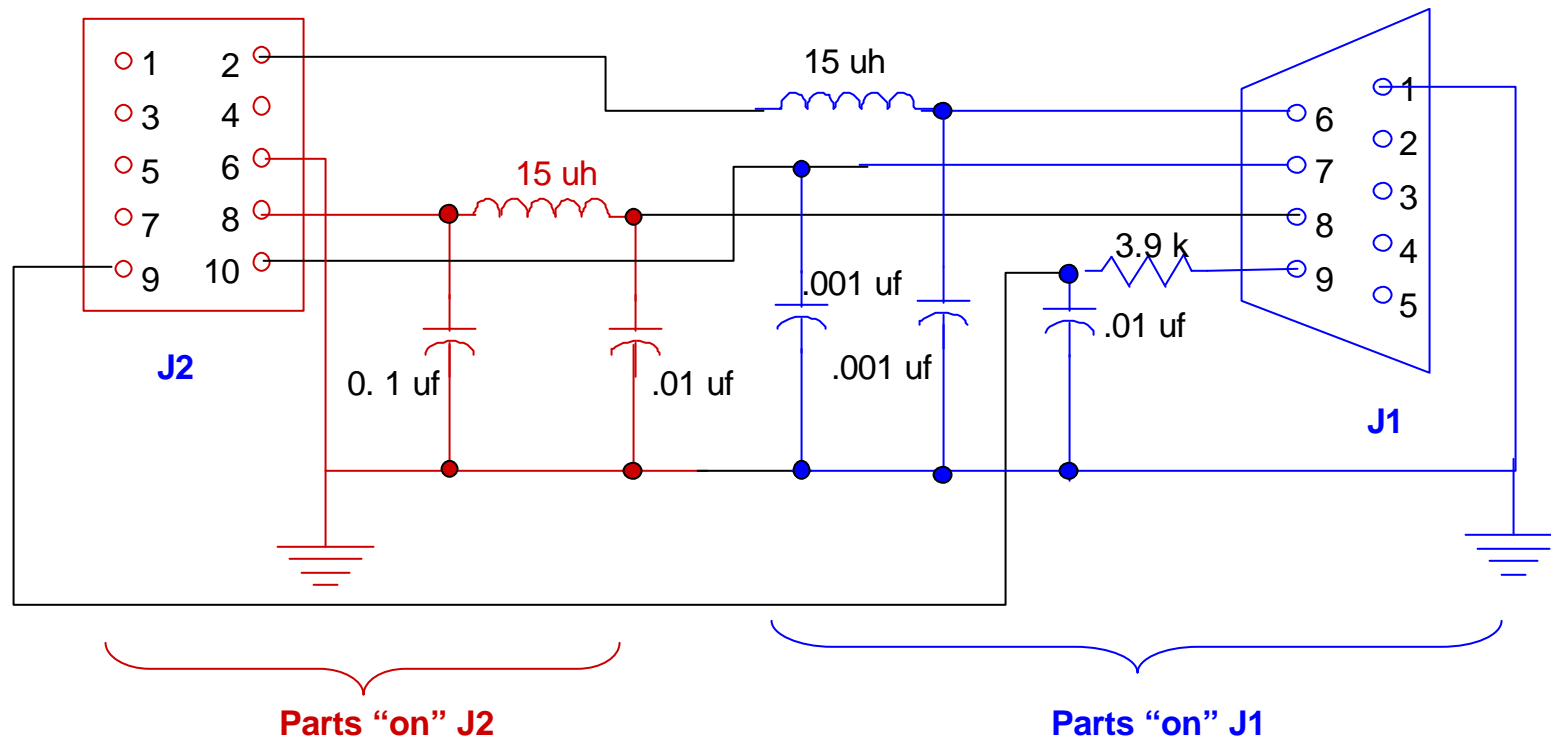


Control Cable to Use a KAT100 without a KIO2

J2 built on to a small PC board with the inductor and 2 capacitors. It plugs into P4 AUX I/O on control board. P4 is at the top left of the control board, so the PC board on which J2 is built can't extend beyond the top of J2.

The parts "on" J1 are built onto a small PC board that is jammed between the pins of J1, the same way as the KIO2 is made – unlike the KIO2, it is not necessary to solder the nuts into the flanges on J1 since the small PC board can be narrow enough to give room to put the nuts on afterwards.



J2 is Elecraft part E620045 female connector: \$1.05

15 uH choke is Elecraft part E690012: \$.53