

Elecraft KNB2 MANUAL ERRATA

Rev. D-5, November 29, 2015
E740003E

MAKE THE FOLLOWING CHANGES TO THE MANUAL OR ADD NOTES TO THE TEXT TO REFER TO THIS ERRATA AT THE APPROPRIATE PLACES

1. **Page 2, Parts Inventory, U1 (third item from bottom):** Change the description to read "RF Amplifier, MC1350 mounted on SMT1A with wire and instruction sheet, P/N E850726"
2. **Page 4, second step:** Delete reference to "U1". (Only U3 will be installed at this time; U1 will be installed later.)
3. **Page 5, third step:** Insert the following between the third and fourth steps to perform the following steps at this point in the procedure:

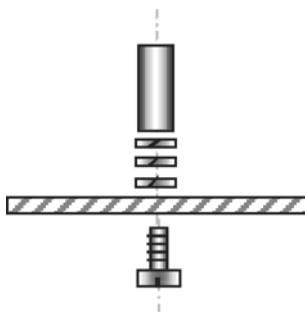
Note: An RoHS compliant surface mount version of the MC1350 integrated circuit is used at U1. This device is furnished pre-installed on a tiny printed circuit board that mounts in the space originally provided for the 8-pin dual in-line (DIP) version of the part.

Locate the *MC1350 mounted on SMT1A* bag. Inside is a length of wire, the IC on small carrier board and an instruction sheet. Install the IC at U1 as described in the instruction sheet.

4. **Page 6, third step:** change the last sentence to read:

Use ~~two~~ THREE split lock washers between the standoff and the top of the RF board in order to position the module at the correct height. Do NOT place a lock washer between the screw head and the bottom of the K2's RF board.

Replace the illustration after the step with the following:



5. **Page 3, fourth, fifth and sixth steps (the remaining steps after the figure):** Replace them with the following:

Cut a strip of thin card stock (such as a business card) that covers Q22 on the K2 RF board and which extends out toward the rear about 1” Place it on top of the Q22. It will be used to determine whether the resistors on the bottom of the KNB2 board touch Q22 or its heat sink. Several layers of common paper may be used instead of the card stock.

Plug the noise blanker module into J12 (above Q22), being careful to line up all of the pins of P1 with J12. Secure the module to the standoff provided using a 1/4" (6 mm) screw and one split lock washer.

Remove the strip of thin card stock. It should slide out freely with no resistance. If it is pinched between the noise blanker module and Q22, remove the screw and lift the noise blanker module off to correct the spacing. Likely causes of the problem are that the resistors on the bottom of the noise blanker module are not mounted against the pc board, the heat sink on Q22 is not mounted all the way down against the flange on the transistor, Q22 itself is not mounted flat against the K2 RF board, or that you failed to place three lock washers between the spacer and the pc board as shown above. Correct the problem and replace the noise blanker module before proceeding.

Reinstall the bottom cover (6 screws).