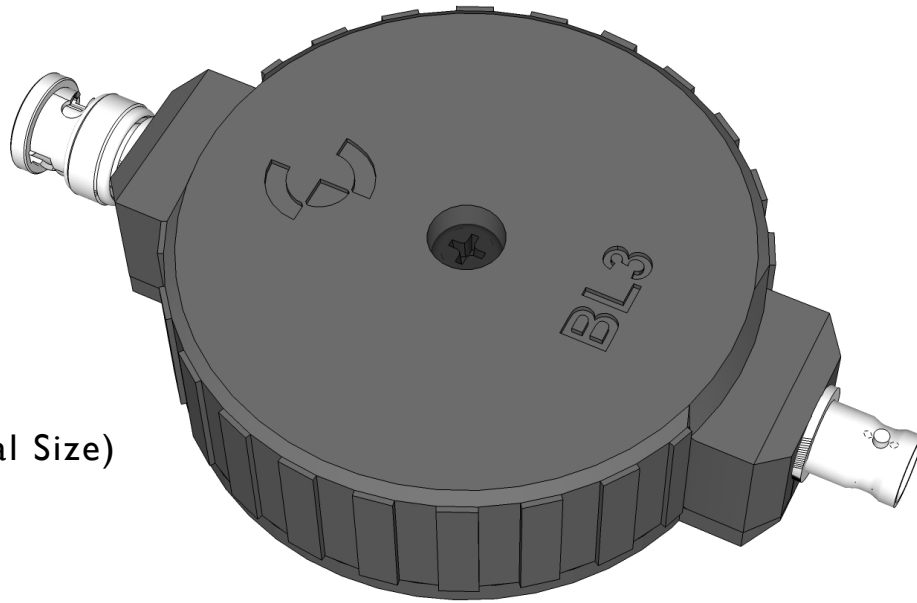


ELECRAFT BL3 BALUN



(Actual Size)

- **PROTECTS YOU AND YOUR GEAR IN THE FIELD:** The rugged, compact BL3 is ideal for portable operation where RF on your coax shield can create a shock hazard or cause radio or computer interference. The BL3 provides 30 dB or more of isolation, eliminating RFI problems caused by high power, short coax cables, and compromise ground systems.
- **RAPID DEPLOYMENT:** The BL3's BNC connectors provide quick connect/disconnect. This also allows it to be connected directly to an Elecraft AX4 whip antenna. As shown at right, the BL3 plugs directly into the AX4's base and sits on the same surface, secured by the matching AXTC4 table clamp.
- **TAKES THE HEAT:** With its 2.4" (6 cm) dia. ferrite core and teflon-insulated winding, the BL3 can handle resonant or non-resonant antennas at up to 100 W CW/SSB. (A wide-range ATU such as those found in Elecraft transceivers may also be required.)

